



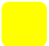


Standard product range: vibration dampers of
RG+ Schwingungstechnik GmbH



	Element	Examples of use
	Damping cushions and flange bearings	<ul style="list-style-type: none"> - Decoupling element of vibrating structures - Tank systems - Transformers - Cooling systems (instationary) - Cable channels (instationary)
	Multi-directional dampers	<ul style="list-style-type: none"> - Heat exchanger, silencer, catalytic converters - Centrifuges - Screener - Pippings - Pellet plants - Engines, generators (instationary)
	Machine feet	<ul style="list-style-type: none"> - Tooling machines - Presses, stampers - (Wind-) screener
	Weight-bearing elements	<ul style="list-style-type: none"> - Pippings - Cable channels (stationary)
	Spring isolators	<ul style="list-style-type: none"> - CHP-modules - Mixer - Crusher - Engines, generators - Pumps - Ventilators, cooling units (stationary)

RG+ Schwingungstechnik GmbH

www.rgplus.de/en

Steiger-Stein-Str. 3

D-44805 Bochum

Tel.: +49 234 516208 0

Fax.: +49 234 516208 29

info@rgplus.de

all-metal-cushion
GKK



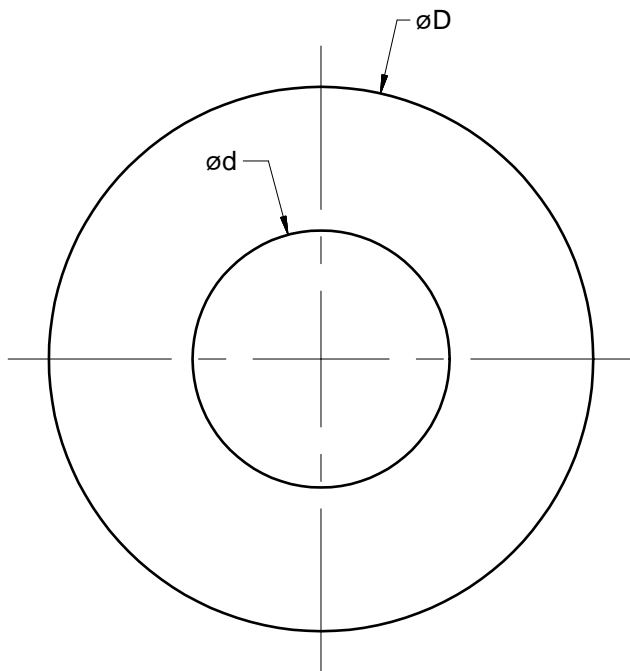
Applications

- resilient suspension of gears, pumps, fans ...
- construction element for vibrating structures



Description

- high static and dynamic load capacity
- material: stainless steel wire
- long lifetime



Type	dimensions in mm			static load in daN
	øD	ød	H	

GKK- 5-1	14,6	5,8	10,0	1 – 5
GKK- 35-1	38,0	12,0	11,0	5 – 35
GKK- 40-2	19,5	8,0	10,0	5 – 40
GKK- 60-2	23,6	11,6	15,5	5 – 60
GKK- 80-1	28,5	9,7	15,0	10 – 80
GKK- 100-2	34,5	9,7	15,0	15 – 100
GKK- 150-1	42,5	21,2	20,0	20 – 150
GKK- 150-6	40,0	10,0	20,0	20 – 150
GKK- 250-5	47,0	16,0	10,0	30 – 250
GKK- 250-6	53,6	19,8	20,0	30 – 250
GKK- 250-11	53,6	17,0	20,0	30 – 250
GKK- 900-2	72,0	33,0	21,0	100 – 900
GKK- 2500-2	118,5	66,0	21,5	500 – 2500
GKK- 3500-4	119,0	50,0	21,5	500 – 3500
GKK- 7000-1	159,0	70,0	21,5	1500 – 7000
GKK-10000-1	159,0	70,0	21,5	1500 – 10000
GKK-20000-1	200,0	60,0	25,0	2500 – 20000

Cushions listed in the table are a small selection only.

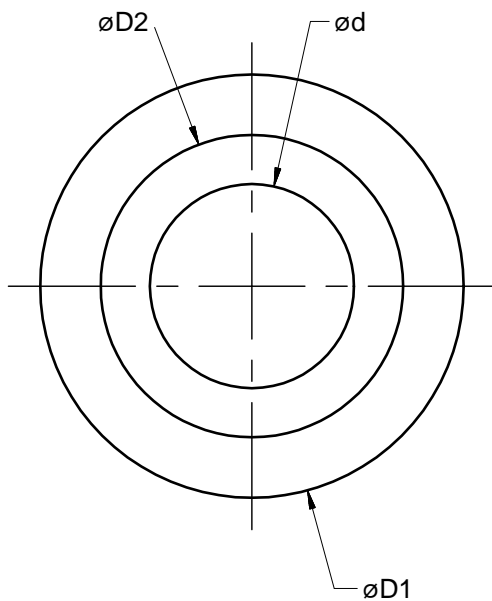
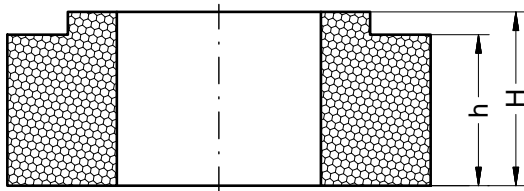
Elements with other dimensions are available on demand.

all-metal-cushion
GKB



Applications

- construction element for vibrating structures
- resilient suspension of gears, pumps, fans, tanks, exhaust systems ...



Description

- high static and dynamic load capacity
- material: stainless steel wire
- long lifetime
- resonant frequency: 15 - 20 Hz

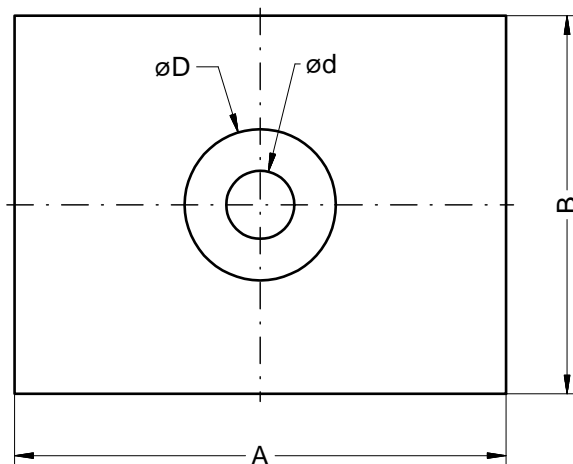
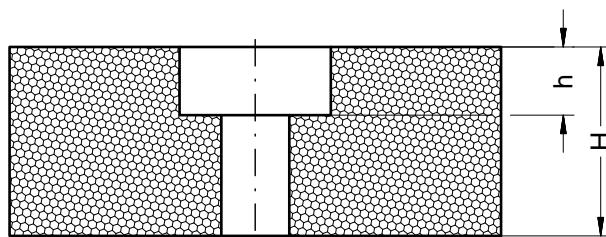
Cushions listed in the table below are a small selection only.

Elements with other dimensions are available on demand.

type	dimensions in mm					static load in daN
	Ø D1	Ø D2	Ø d	H	h	
GKB-15-2	30,0	24,0	14,5	15,0	11,0	5 – 15
GKB-35-1	38,0	20,5	12,0	16,0	11,0	5 – 35
GKB-100-2	45,0	27,0	20,0	25,0	23,0	10 – 100
GKB-100-3	45,0	27,0	20,0	25,0	21,0	10 – 100
GKB-300-2	56,0	40,0	27,0	23,0	20,0	30 – 300
GKB-900-3	72,0	47,0	34,0	25,0	21,0	100 – 900

Applications

- resilient suspension of gears, pumps, fans ...
- construction element for vibrating structures



Description

- high static and dynamic load capacity
- material: stainless steel wire
- resonant frequency: 15 - 20 Hz

Cushions listed in the table below are a small selection only.

Elements with other dimensions are available on demand.

Type	dimensions in mm						static load in daN
	Ø D	Ø d	A	B	H	h	
GKR-80-1	11,0	6,4	29,9	29,9	19,0	8,5	10 – 80
GKR-300-1	20,0	9,0	53,0	49,0	25,0	9,0	30 – 300
GKR-300-11	---	---	50,0	47,0	22,0	---	30 – 300
GKR-500-1	20,0	9,0	65,0	50,0	25,0	9,0	30 – 500
GKR-2000-2	---	---	100,0	100,0	34,0	---	300 – 2000

Flange bearing GBL-()

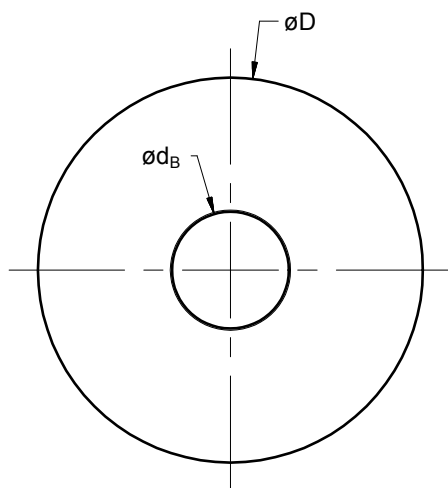
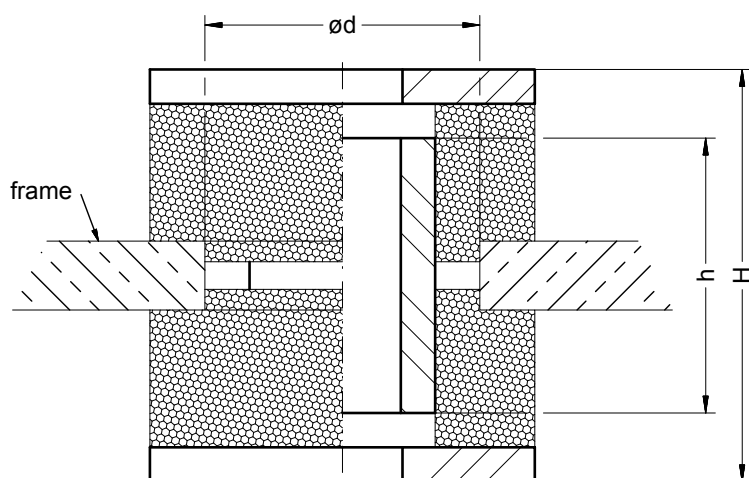
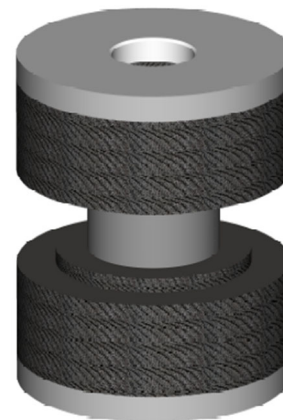


Applications

- Flange bearing for the resilient suspension of i.e. tank systems, cooling units, generator sets, ...

Element consists of:

- 2x all-metal-cushion
- 1x sleeve
- 2x washer or cushion seat (depending on type)



Description:

- damping cushion of stainless steel wire
- washers and sleeve of steel, zinc coated
- cushion seat of steel, KTL coated
- high static and dynamic load capacity
- long lifetime
- maintenance free
- compact design

Flange bearings listed in the table are only standard elements. Further elements can be asked at our technicians.

High and diameter of the plugged sleeve always depends on the customers application. They will be adjusted after consulting.

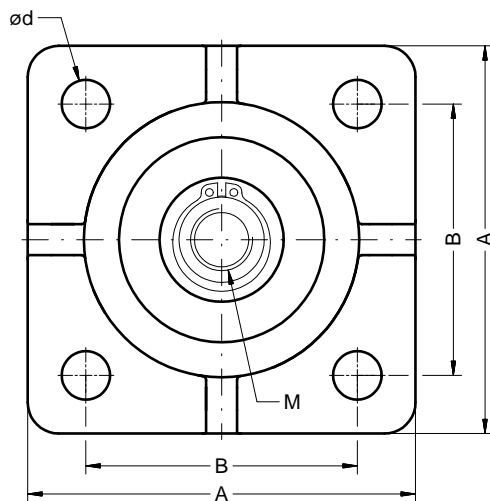
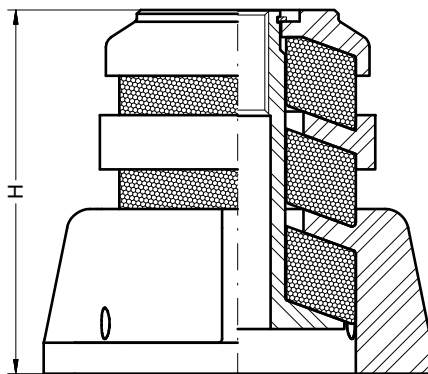
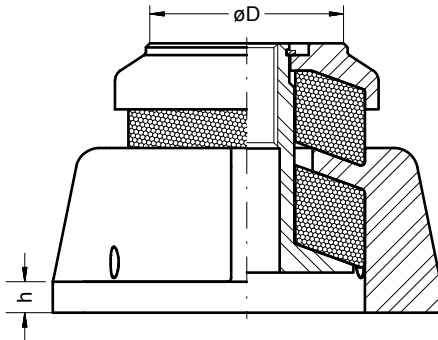
Type	dimensions in mm					static load in daN
	H	h	$\varnothing D$	$\varnothing d$	$\varnothing d_B$	
GBL-15-3	depending on application		28	24	9	5 – 15
GBL-35-3			38	20,5	9	5 – 35
GBL-100-2			45	27	12,2	10 – 100
GBL-300-2			56	40	17	50 – 300
GBL-900-8			80	47	21	50 – 900

all-metal-damper GDZ-()-1



Applications

- resilient suspension of motors, pumps
generators, exhaust pipes ...



standard



type "D"

Description

- housing of mild steel, KTL coated
- axis, top cover and cushion seat of steel, KTL-coated
- safety ring DIN 471, stainless steel
- damping cushion of stainless steel wire
- high static and dynamic load capacity
- compact design
- long lifetime
- maintenance free

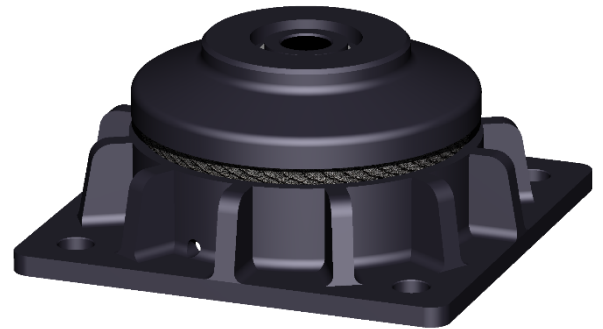
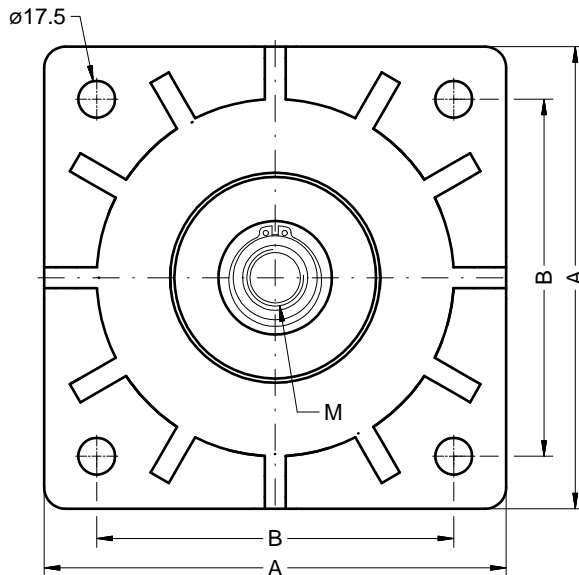
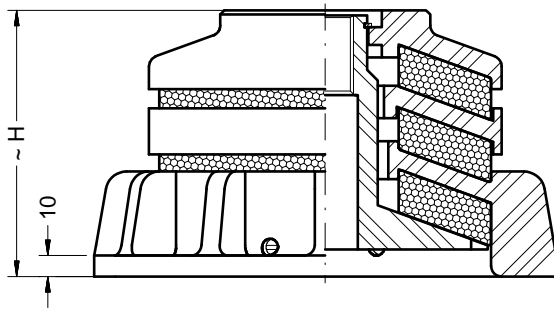
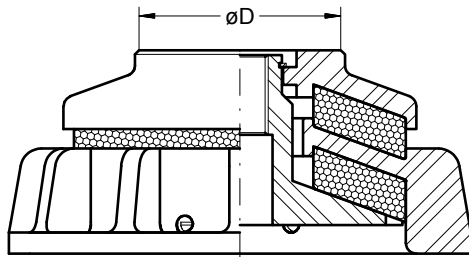
type	dimensions [mm]							load [daN] compression - tension		frequency [Hz]	weight [kg]	
	A	B	$\varnothing D$	$\varnothing d$	H	h	M	static	dynamic			
GDZ- 60-1	80	64	35	8,2	50	6	M12	5 - 60	200	15 - 20	0,7	
GDZ-250-1					50 - 250			500				
GDZ-T- 60-1					75			5 - 60	200	8 - 10		0,8
GDZ-T-250-1					50 - 250			500				
GDZ- 900-1	100	70	52	12,5	70	8	M16	50 - 900	3500	15 - 20	1,4	
GDZ-D-900-1					94					11 - 15	1,7	
GDZ- 1500-1					84					15 - 20	3,1	
GDZ-D-1500-1	130	100	58	109	10	250 -1500	11 - 15	3,7				

all-metal-damper GDZ-()-1

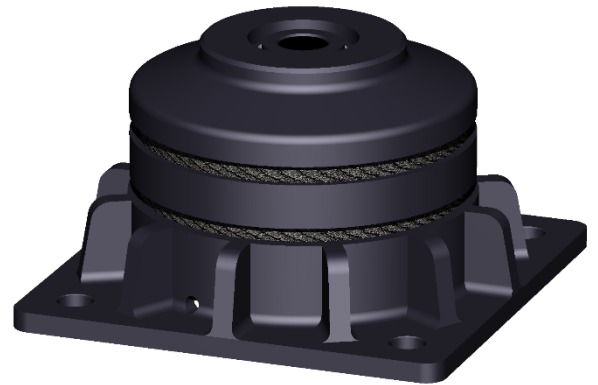


Applications

- resilient suspension of motors, pumps, generators, exhaust pipes ...



standard



type "D"

Description

- housing of mild steel, KTL coated
- axis, top cover and cushion seat of steel, KTL-coated
- safety ring DIN 471, stainless steel
- damping cushion of stainless steel wire
- high static and dynamic load capacity
- compact design
- long lifetime
- maintenance free

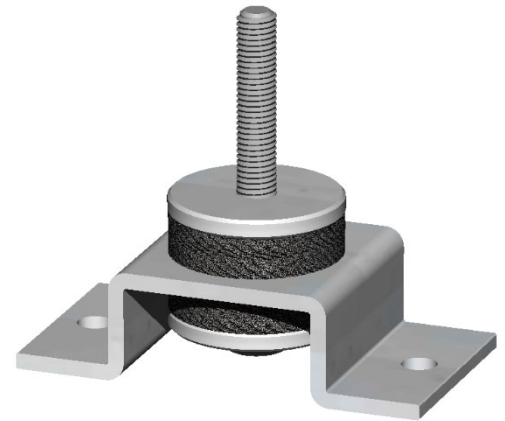
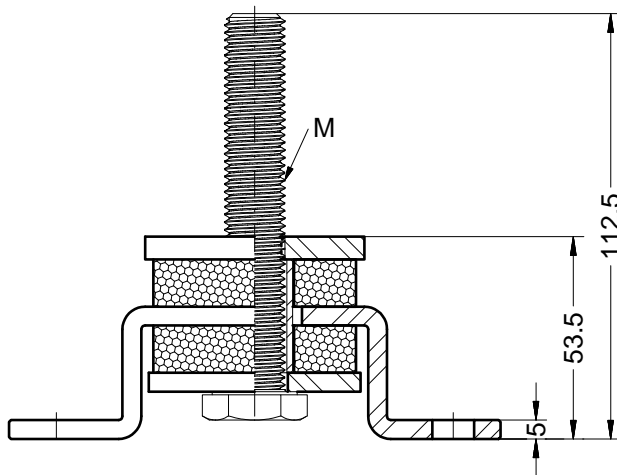
type	dimensions [mm]					load [daN] compression - tension		frequency	weight
	A	B	Ø D	H	M	static	dynamic	[Hz]	[kg]
GDZ- 2500-1	202	152	96	86	M20	500 - 2500	12500	15 - 20	~ 8,6
GDZ-D-2500-1				113				11 - 15	~ 10,5
GDZ- 7000-1	220	170		97	M27	500 - 7000	22500	15 - 20	~ 12,6
GDZ-D-7000-1				127				11 - 15	~ 13,7

all-metal-damper
GDZ-()-5



Applications

- resilient suspension of motors, pumps, generators, exhaust pipes ...

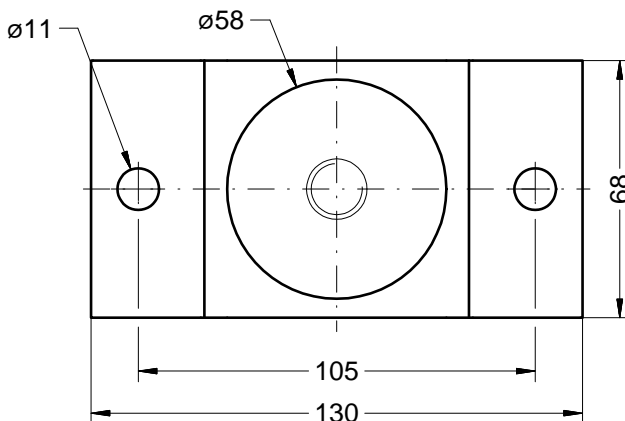


Description

- profile, screw, axis and discs of steel, zinc coated
- damping cushion of stainless steel wire
- high static and dynamic load capacity
- long lifetime
- maintenance free
- weight: 0,85 – 1,0 kg
- thread: GDZ-250-5 - M12
GDZ-500-5 - M16

accessories:

- welding plate ASP-250-5



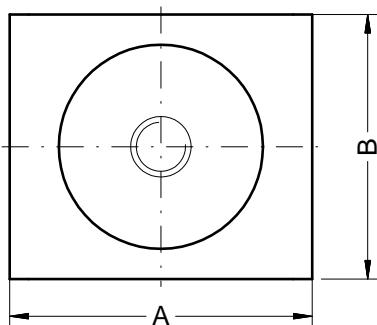
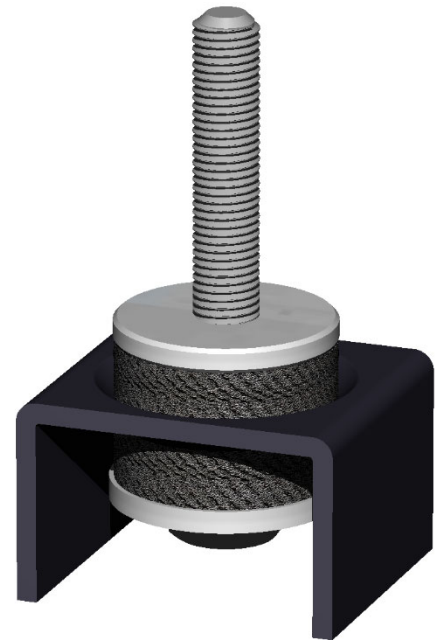
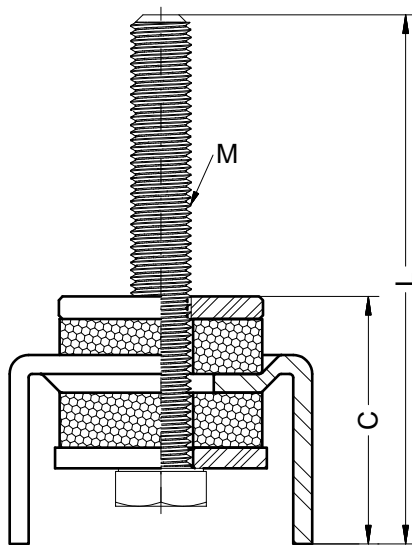
type	static load in daN	frequency in Hz
GDZ-250-5	50 - 250	15-20
GDZ-500-5	50 - 500	20-25

all-metal-damper
GDZ-()-5-1



Applications

- resilient suspension of motors, pumps ,generators, exhaust pipes



Description

- cushion seat of steel, KTL coated
- washers and screw of steel, zinc coated
- damping cushions of stainless steel wire
- high static and dynamic load capacity
- ageing resistance
- maintenance free
- resonant frequency: 15 - 20 Hz

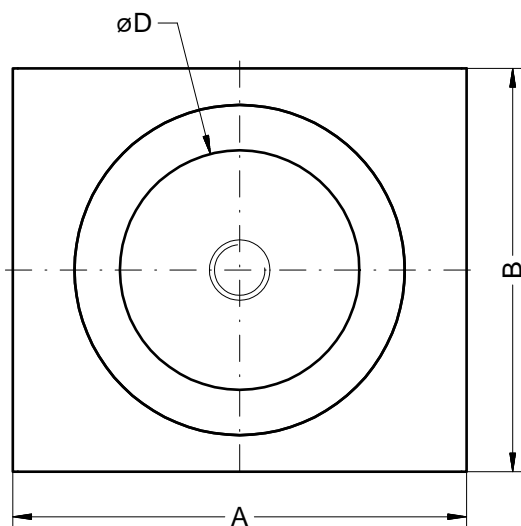
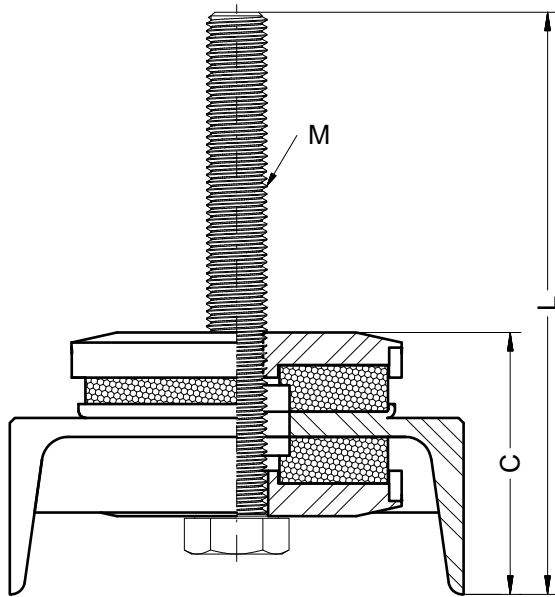
Type	dimensions in mm					load capacity in daN		weight in kg
	A	B	C	M	L	static	dynamic	
GDZ- 250-5-1	80	70	67	M16	140	50 – 250	500	~1,0
GDZ- 500-5-1					170	100 – 500	1000	
GDZ- 900-5-1	100	100	70	M20	170	150 – 900	1800	~2,1
GDZ-1500-5-1					300 – 1500	3000		

All-metal-damper GDZ-()-5-1



Applications

- resilient suspension of motors, pumps, generators, exhaust pipes ...



Description

- U-profile, cushion seat of steel, KTL coated
- screw of steel, zinc coated
- damping cushion of stainless steel wire
- high static and dynamic load capacity
- ageing resistance
- maintenance free
- resonant frequency: 15 - 20 Hz

Type	dimensions in mm					load capacity in daN		weight in kg	
	A	B	C	ØD	M	static	dynamic		
GDZ-2500-5-1	180	160	103	95	M24	225	750 – 2500	5000	~ 8,3
GDZ-5000-5-1	220	220	123	158		230	1000 – 5000	10000	~16,0
GDZ-8000-5-1							1000 – 8000	16000	

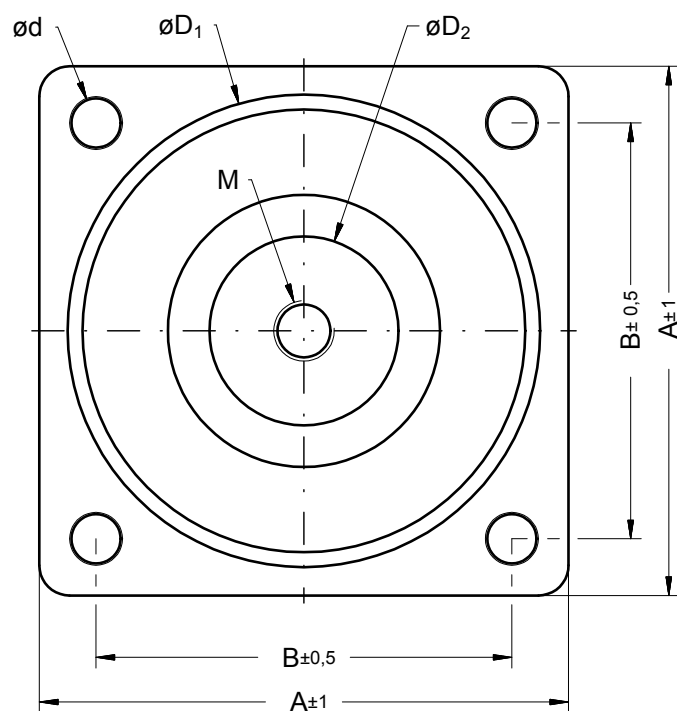
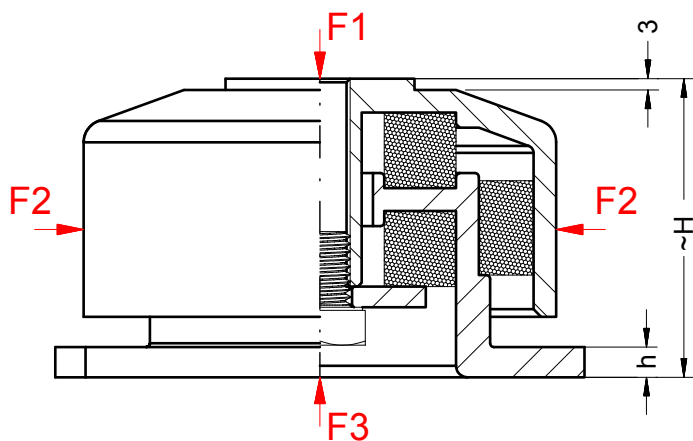
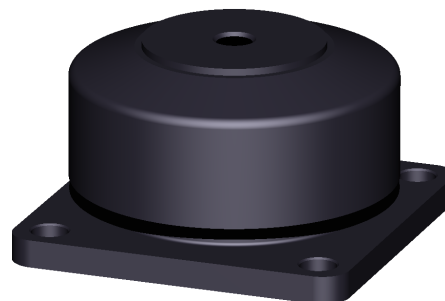
all-metal-damper GDZ-()-7



Applications

Resilient suspension of

- rotating machines, engines, pumps
- exhaust pipes, railway applications



Description

- housing and housing cover of cast steel, KTL coated
- cushions of stainless steel wire
- screw and washer of steel, zinc coated
- high static load capacity, especially for radial forces
- high dynamic load capacity
- Ageing resistance
- vertical resonance frequency: 15 - 20 Hz

Type	static load (daN)		
	F1	F2	F3
GDZ-250-7	50-250	250	250
GDZ-700-7	100-700	1500	700
GDZ-1500-7	500-1500	1500	1500
GDZ-3500-7	1500-3500	3500	3500

Type	dynamic load (daN)		
	F1	F2	F3
GDZ-250-7	500	1250	500
GDZ-700-7	3500	7500	2100
GDZ-1500-7	7500	7500	3000
GDZ-3500-7	17500	10000	7000

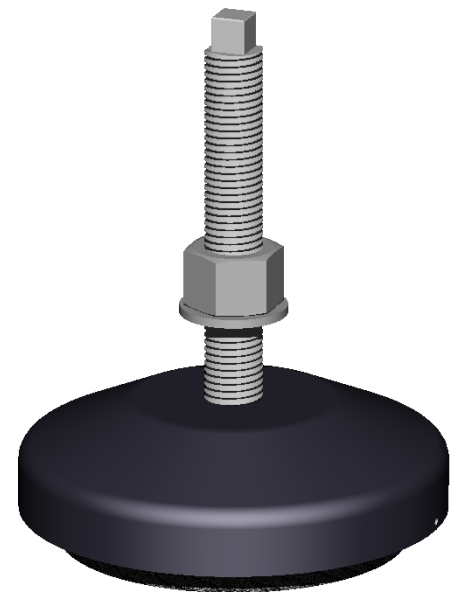
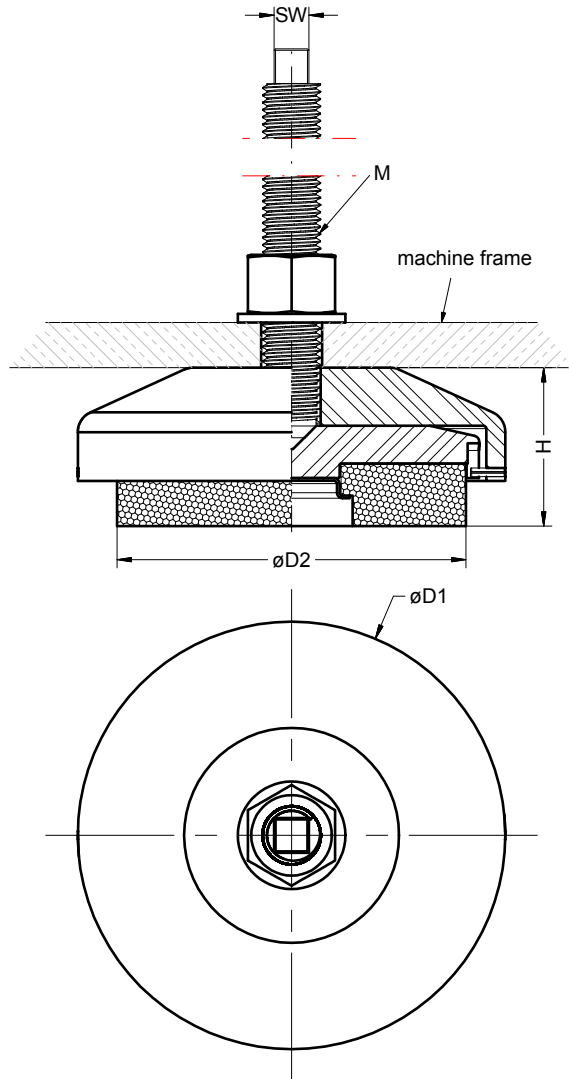
Type	dimensions (mm)								m (kg)
	A	B	H	h	M	d	D1	D2	
GDZ-250-7	100	80	57	8	M12	10,5	93	52	~1,9
GDZ-700-7	140	110	79	8	M16	13	125	50	~3,6
GDZ-1500-7	140	110	79	8	M16	13	125	50	~3,7
GDZ-3500-7	200	160	93	10	M24	17	180	75	~9,5

all-metal-damper GST-()-x



Applications

- Resilient suspension of turning, milling and lapping machines, presses, grinding machines etc.



Description

- Housing, cushion seat of steel, KTL coated
- Damping cushion of stainless steel wire
- Screw, washer and nut of steel, zinc coated
- High static and dynamic load capacity
- Integrated levelling, compact design
- long lifetime
- maintenance free

Accessories

- Anti-slip mat (Safety-Walk™) ARS
- Floor attachment BBF

Type	Dimensions [mm]					Stat. load [daN]	Frequency [Hz]
	Ø D1	Ø D2	M	H	SW		
GST- 250 -1	84	60	M12	31	9	30 - 250	25 - 30
GST- 250 -2				35			
GST- 250 -3				31			
GST- 900 -1	92	72	M16	46	10	50 - 900	15 - 20
GST- 3000 -1				35			
GST- 3000 -2				35			
GST- 3500 -1	147	121	M20	44	12	500 -3500	25 - 30
GST- 3500 -2				55			15 - 20
GST- 6000 -1	186	159	M27	60	41	1500 -6000	20 - 25
GST- 6000 -2				71			15 - 20
GST- 8000 -1				71			18 - 23

Levelling bolts available with square and hexagonal head

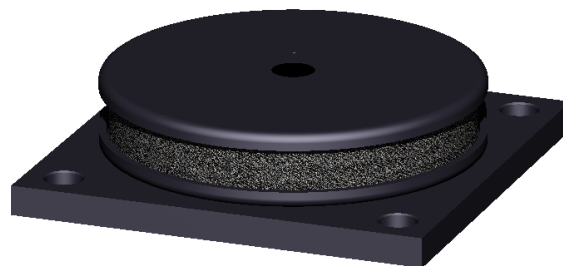
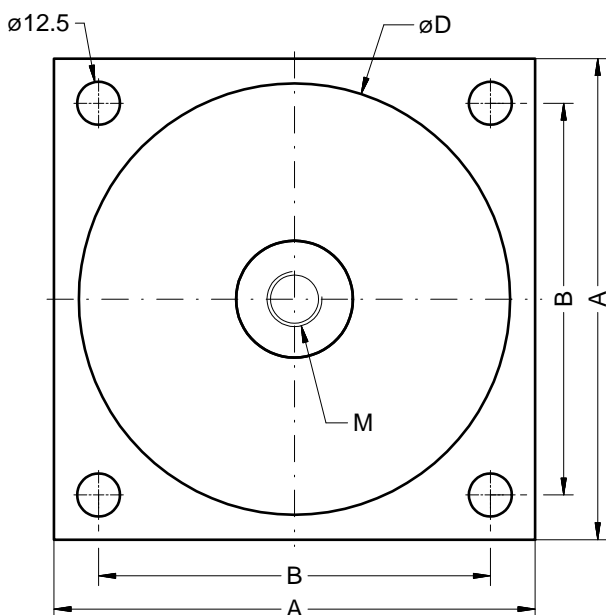
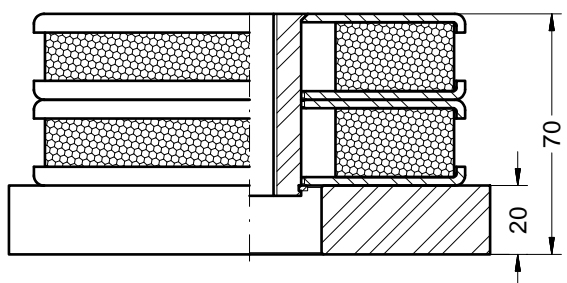
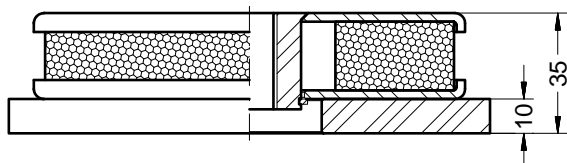
M27 exclusively available in hexagonal form

all-metal-damper GMF-()-4

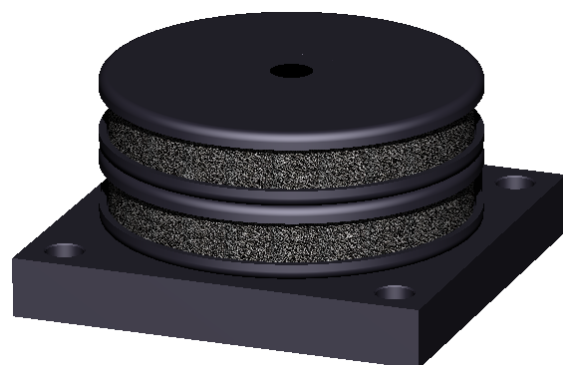


Applications

- resilient suspension of turning machines, milling machines, presses, lapping machines, grinding machines ...



Standard



type "D"

Description

- cushion seat, bottom plate of steel, KTL coated
- damping cushion of stainless steel wire
- high static and dynamic load capacity
- compact design
- long lifetime
- maintenance free

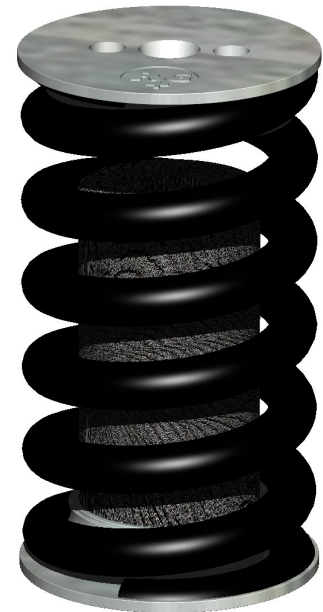
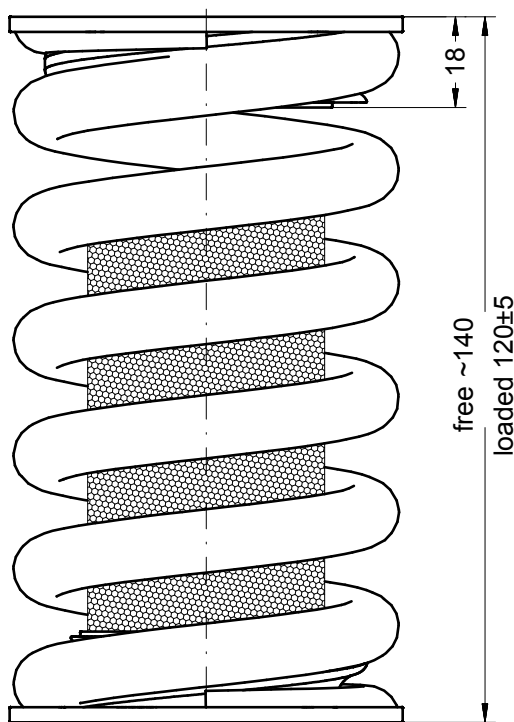
type	dimensios in mm				load capacity in daN		frequency	weight
	A	B	ØD	M	static	dynamic	[Hz]	[kg]
GMF-3500-4	140	114	125	M16	500 - 3500	12500	15 - 20	~ 2,5
GMF-D-3500-4							13 - 18	~ 5,0
GMF-7000-4	170	138	165	M20	1500 - 7000	22500	15 - 20	~ 3,7
GMF-D-7000-4							13 - 18	~ 7,5
GMF-10000-4	170	138	165	M20	1500 - 10000	33500	23 - 28	~ 3,8
GMF-D-10000-4							18 - 23	~ 7,7

Spring isolator FR-E-34-()



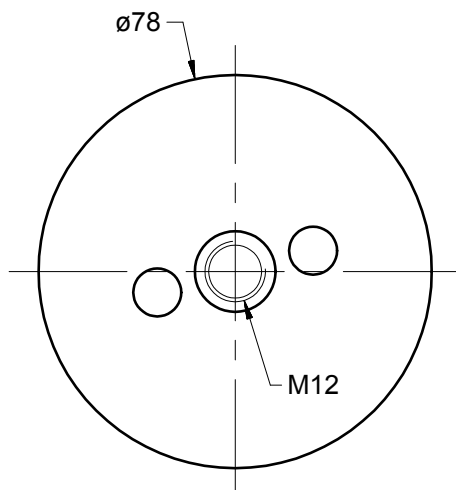
Applications

- isolation of rotating machines operating above 400 min⁻¹
- e.g. fans, motors, pumps, compressors, cooling units ...



Description

- spring of spring wire coated black
- damping cushion of stainless steel wire
- scrolls of Al-alloy
- vertical resonant frequency: 3 - 4 Hz
- weight: 1,1 - 2,0 kg according to type
- elastic limit load:
1,5 g vertical 0,5 g horizontal



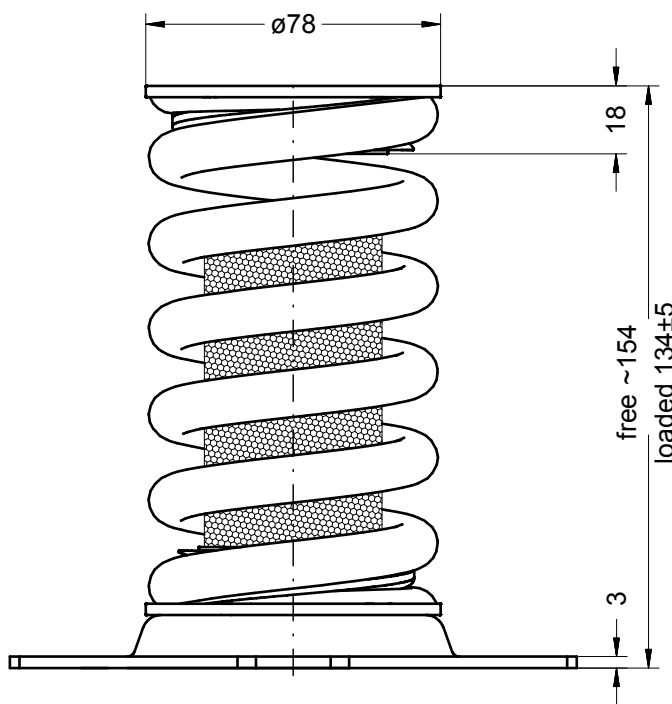
type	load
FR-E-34-100	70 - 100 daN
FR-E-34-130	90 - 130 daN
FR-E-34-160	110 - 160 daN
FR-E-34-230	160 - 230 daN
FR-E-34-310	220 - 310 daN
FR-E-34-410	300 - 410 daN

Spring isolator FR-E-34-()-A



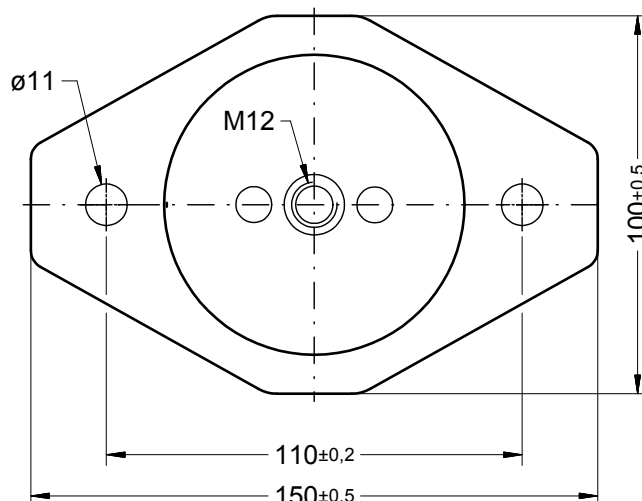
Applications

- isolation of rotating machines operating above 400 min⁻¹
- e.g. fans, motors, pumps, compressors, cooling units ...



Description

- fixing plate of steel, zinc coated
- spring of spring wire, coated black
- damping cushion of stainless steel wire
- scrolls of Al-alloy
- vertical resonant frequency: 3 - 4 Hz
- weight: 1,2 - 2,1 kg, according to type
- elastic limit load:
1,5 g vertical 0,5 g horizontal



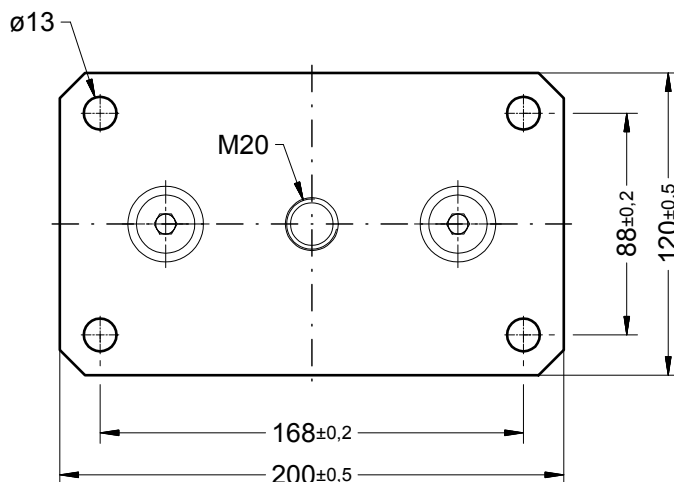
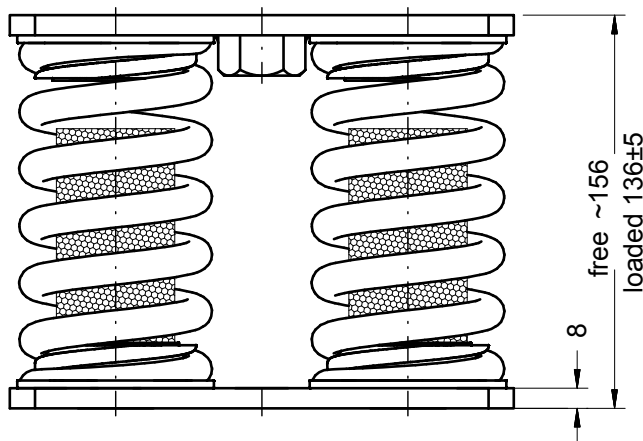
type	load
FR-E-34-100-A	70 - 100 daN
FR-E-34-130-A	90 - 130 daN
FR-E-34-160-A	110 - 160 daN
FR-E-34-230-A	160 - 230 daN
FR-E-34-310-A	220 - 310 daN
FR-E-34-410-A	300 - 410 daN

Spring isolator FR-E2-34-()



Applications

- isolation of rotating machines operating above 400 min⁻¹
- e.g. fans, motors, pumps, compressors, cooling units ...



Description

- top and bottom plate of steel, zinc coated
- springs of spring wire coated black
- damping cushion of stainless steel wire
- scrolls of Al-alloy
- vertical resonant frequency: 3 - 4 Hz
- weight: 4,6 - 6,5 kg, according to type
- elastic limit load:
1,5 g vertical 0,5 g horizontal

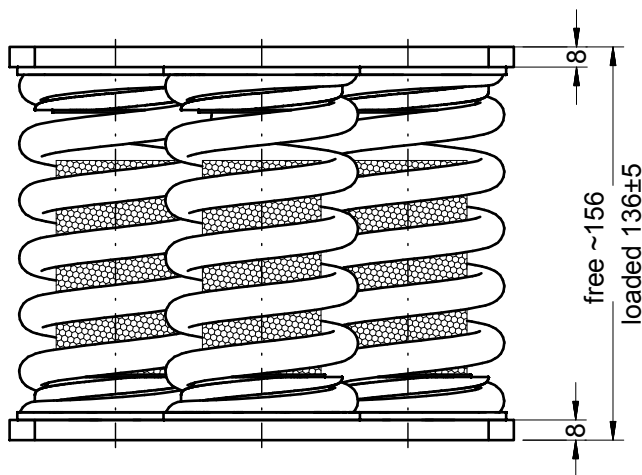
type	load
FR-E2-34-200	140 - 200 daN
FR-E2-34-260	180 - 260 daN
FR-E2-34-320	220 - 320 daN
FR-E2-34-460	320 - 460 daN
FR-E2-34-620	440 - 620 daN
FR-E2-34-820	600 - 820 daN

Spring isolator FR-E4-34-()



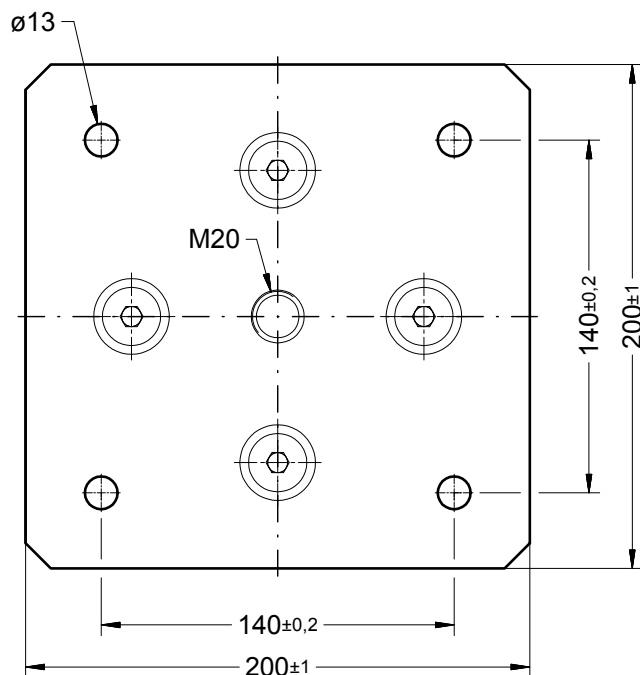
Applications

- isolation of rotating machines operating above 400 min^{-1}
- e.g. fans, motors, pumps, compressors, cooling units ...



Description

- top and bottom plate of steel, zinc coated
- springs of spring wire, coated black
- damping cushion of stainless steel wire
- scrolls of Al-alloy
- vertical resonant frequency: 3 - 4 Hz
- weight: 8,3 - 11,8 kg according to type
- elastic limit load:
1,5 g vertical 0,5 g horizontal



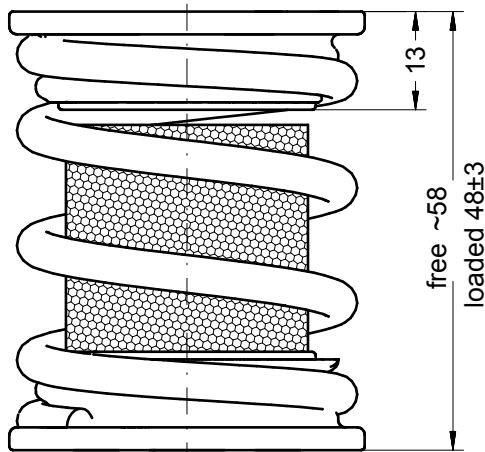
type	load
FR-E4-34- 400	280 - 400 daN
FR-E4-34- 520	360 - 520 daN
FR-E4-34- 640	440 - 640 daN
FR-E4-34- 920	640 - 920 daN
FR-E4-34-1240	880 - 1240 daN
FR-E4-34-1640	1200 - 1640 daN

Spring isolator FR-E-56-1-()



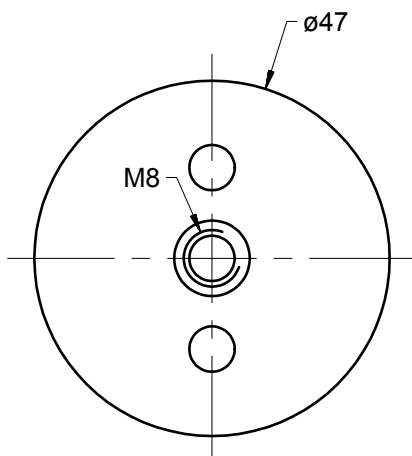
Applications

- isolation of rotating machines operating above 600 min⁻¹
- e.g. fans, motors, pumps, compressors, cooling units ...



Description

- spring of spring wire, coated black
- damping cushion of stainless steel wire
- scrolls of Al-alloy
- vertical resonant frequency: 5 - 6 Hz
- weight: 0,2 - 0,25 kg according to type
- elastic limit load:
2 g vertical 0,5 g horizontal



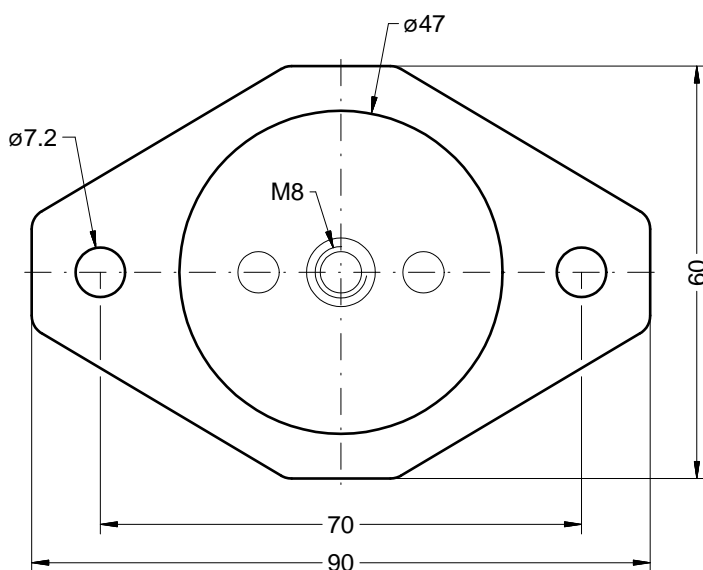
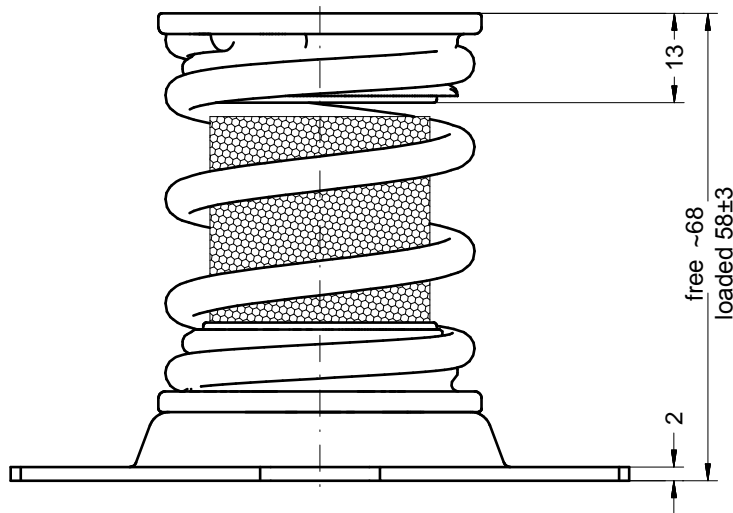
type	load
FR-E-56-1- 7	5 - 7 daN
FR-E-56-1-10	7 - 10 daN
FR-E-56-1-15	10 - 15 daN
FR-E-56-1-20	15 - 20 daN
FR-E-56-1-30	20 - 30 daN
FR-E-56-1-50	30 - 50 daN

Spring isolator FR-E-56-1-()-A



Applications

- isolation of rotating machines operating above 600 min⁻¹
- e.g. fans, motors, pumps, compressors, cooling units ...



Description

- fixing plate of steel, zinc coated
- spring of spring wire, coated black
- damping cushion of stainless steel wire
- scrolls of Al-alloy
- vertical resonant frequency: 5 - 6 Hz
- weight: 0,2 - 0,25 kg according to type
- elastic limit load:
2 g vertical 0,5 g horizontal

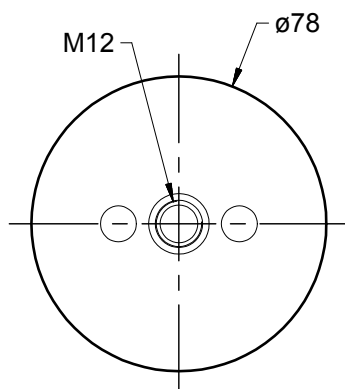
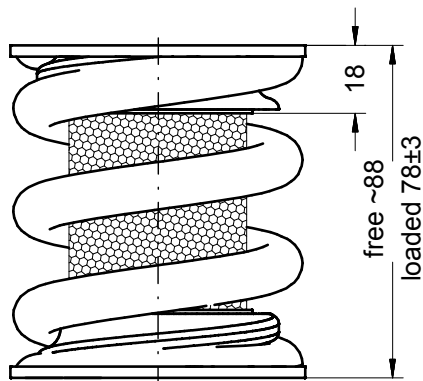
type	load
FR-E-56-1- 7 A	5 - 7 daN
FR-E-56-1-10 A	7 - 10 daN
FR-E-56-1-15 A	10 - 15 daN
FR-E-56-1-20 A	15 - 20 daN
FR-E-56-1-30 A	20 - 30 daN
FR-E-56-1-50 A	30 - 50 daN

Spring isolator FR-E-56-()



Applications

- isolation of rotating machines operating above 600 min⁻¹
- e.g. fans, motors, pumps, compressors, cooling units ...



Description

- spring of spring wire, coated black
- damping cushion of stainless steel wire
- scrolls of Al-alloy
- vertical resonant frequency: 5 - 6 Hz
- weight: 0,7- 1,3 kg according to type
- elastic limit load:
2 g vertical 0,5 g horizontal

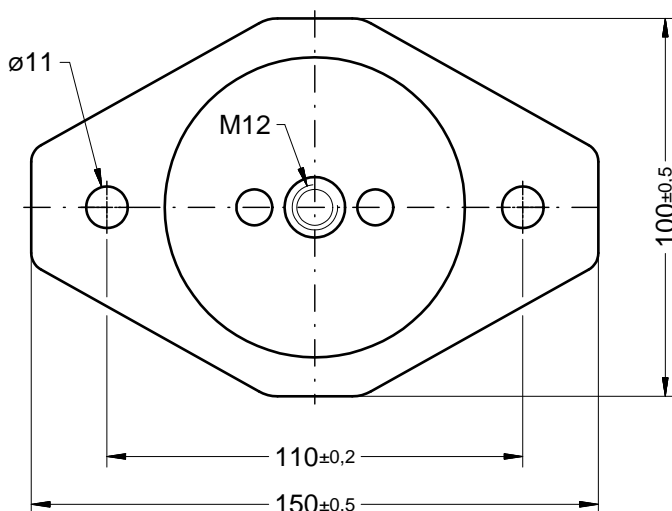
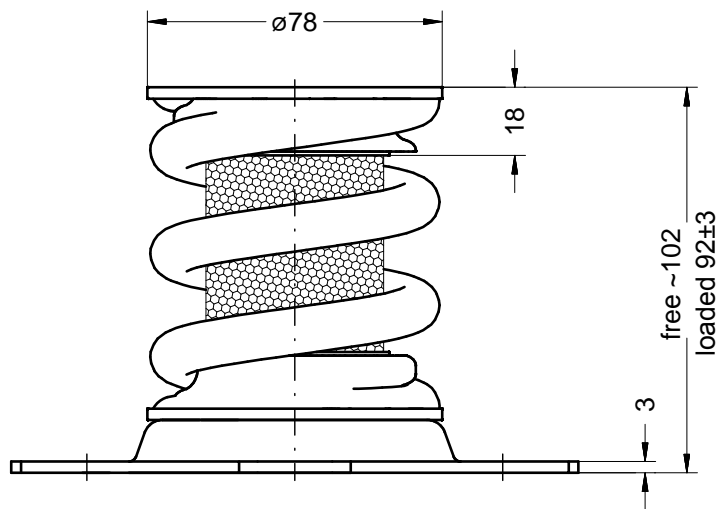
type	load
FR-E-56- 50	30 - 50 daN
FR-E-56- 80	50 - 80 daN
FR-E-56-130	80 - 130 daN
FR-E-56-200	130 - 200 daN
FR-E-56-300	200 - 300 daN
FR-E-56-400	300 - 400 daN

Spring isolator FR-E-56-()-A



Applications

- isolation of rotating machines operating above 600 min⁻¹
- e.g. fans, motors, pumps, compressors, cooling units ...



Description

- fixing plate of steel, zinc coated
- spring of spring wire, coated black
- damping cushion of stainless steel wire
- scrolls of Al-alloy
- vertical resonant frequency: 5 - 6 Hz
- weight: 0,9 - 1,5 kg according to type
- elastic limit load:
2 g vertical 0,5 g horizontal

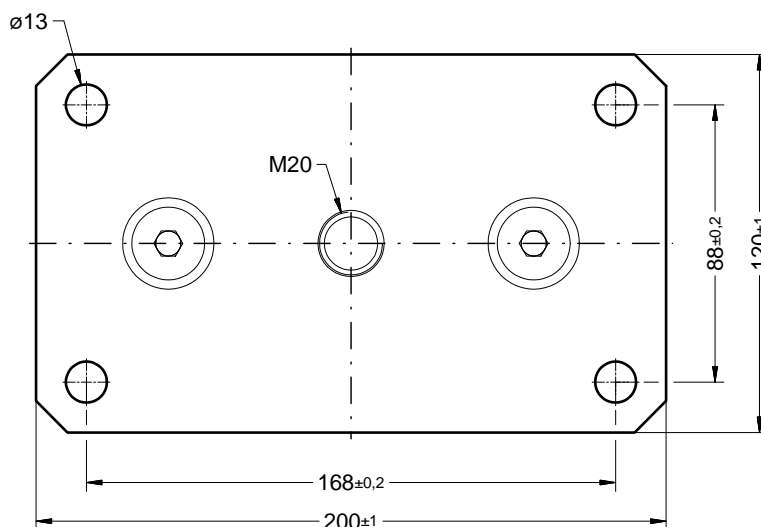
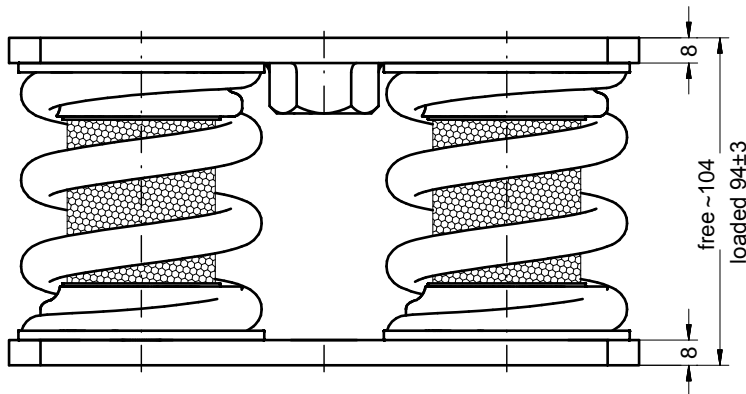
type	load
FR-E-56- 50-A	30 - 50 daN
FR-E-56- 80-A	50 - 80 daN
FR-E-56-130-A	80 - 130 daN
FR-E-56-200-A	130 - 200 daN
FR-E-56-300-A	200 - 300 daN
FR-E-56-400-A	300 - 400 daN

Spring isolator FR-E2-56-()



Applications

- isolation of rotating machines operating above 600 min^{-1}
- e.g. fans, motors, pumps, compressors, cooling units ...



Description

- top and bottom plate of steel zinc coated
- Springs made of spring steel wire, black coated
- Damping cushion of stainless steel wire
- Spring end caps of Al-alloy
- Vertical natural frequency: 5 - 6 Hz
- Weight: 4,1 – 5,3 kg depending on type
- Elastic max. load:
2 g vertical 0,5 g horizontal

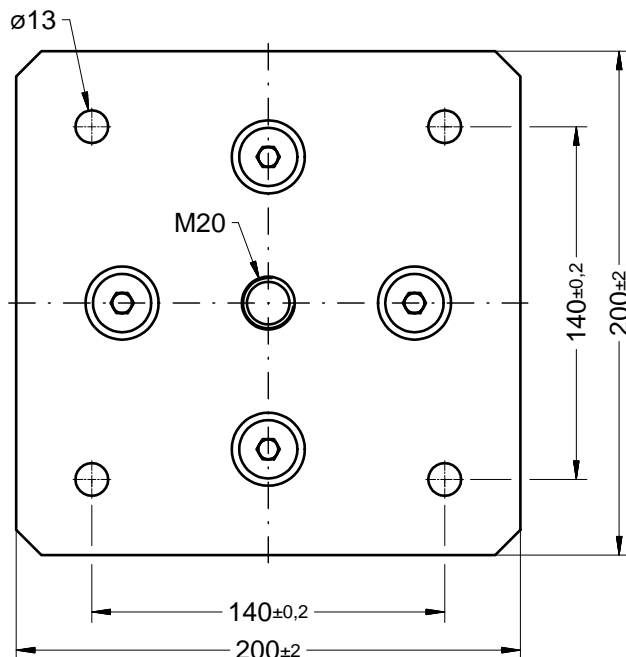
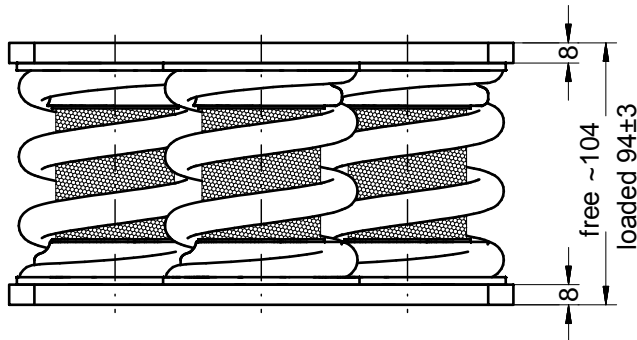
Type	Load
FR-E2-56-100	60 - 100 daN
FR-E2-56-160	100 - 160 daN
FR-E2-56-260	160 - 260 daN
FR-E2-56-400	260 - 400 daN
FR-E2-56-600	400 - 600 daN
FR-E2-56-800	600 - 800 daN

Spring isolator FR-E4-56-()



Applications

- isolation of rotating machines operating above 600 min^{-1}
- e.g. fans, motors, pumps, compressors, cooling units ...



Description

- top and bottom plate of steel, zinc coated
- springs of spring steel wire, coated black
- damping cushion of stainless steel wire
- scrolls of Al-alloy
- resonant frequency: 5 - 6 Hz
- weight: 7,5 - 9,8 kg according to type
- elastic limit load:
2 g vertical 0,5 g horizontal

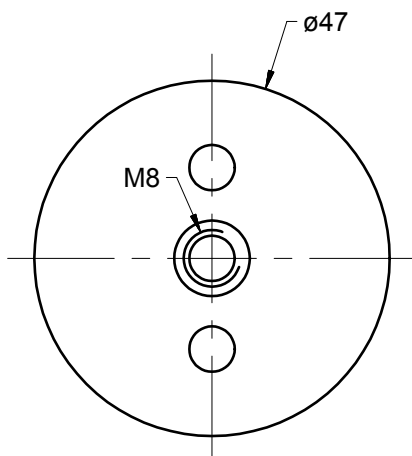
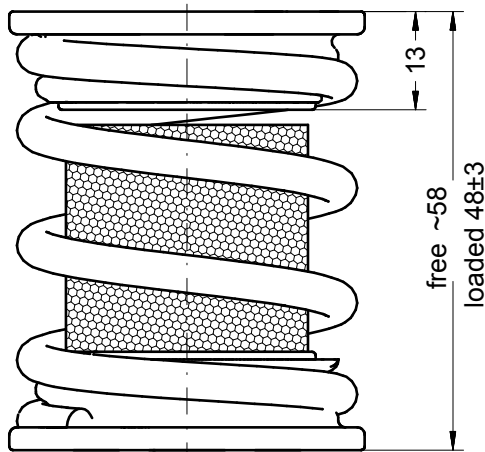
type	load
FR-E4-56- 200	120 - 200 daN
FR-E4-56- 320	200 - 320 daN
FR-E4-56- 520	320 - 520 daN
FR-E4-56- 800	520 - 800 daN
FR-E4-56-1200	800 - 1200 daN
FR-E4-56-1600	1200 - 1600 daN

Spring isolator FR-E-79-1-()



Applications

- isolation of rotating machines operating above 800 min⁻¹
- e.g. fans, motors, pumps, compressors, cooling units ...



Description

- spring of spring wire, coated black
- damping cushion of stainless steel wire
- scrolls of Al-alloy
- vertical resonant frequency: 7 - 9 Hz
- weight: 0,15 - 0,2 kg according to type
- elastic limit load:
2 g vertical 0,5 g horizontal

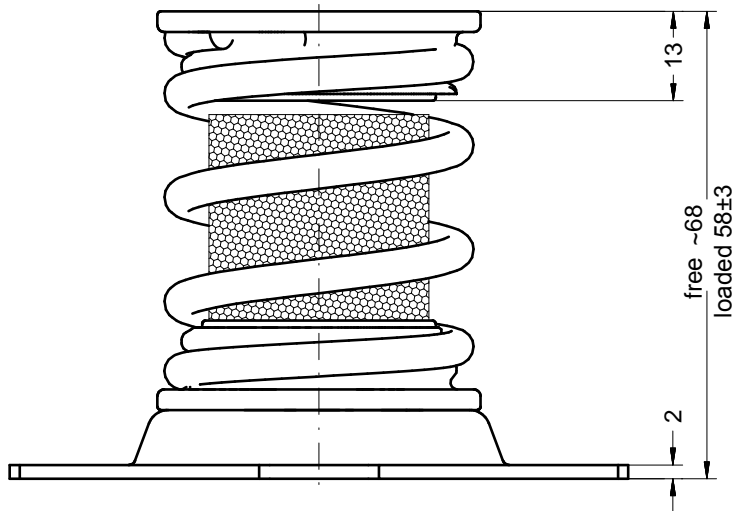
type	load
FR-E-79-1-11	6 - 11 daN
FR-E-79-1-14	8 - 14 daN
FR-E-79-1-20	12 - 20 daN
FR-E-79-1-30	18 - 30 daN
FR-E-79-1-45	24 - 45 daN
FR-E-79-1-75	40 - 75 daN

Spring isolator FR-E-79-1-()-A



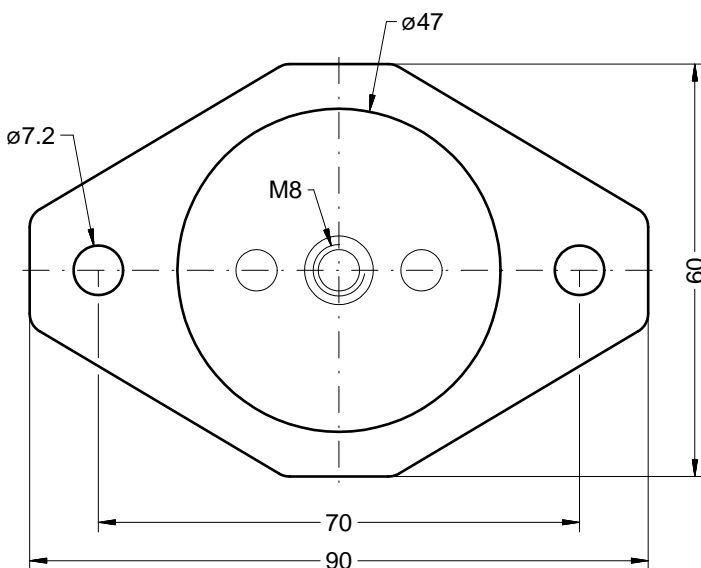
Applications

- isolation of rotating machines operating above 800 min⁻¹
- e.g. fans, motors, pumps, compressors, cooling units ...



Description

- fixing plate of steel, zinc coated
- spring of spring wire, coated black
- damping cushion of stainless steel wire
- scrolls of Al-alloy
- vertical resonant frequency: 7 - 9 Hz
- weight: 0,2 - 0,25 kg according to type
- elastic limit load:
2 g vertical 0,5 g horizontal



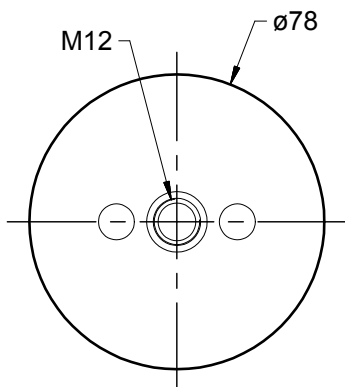
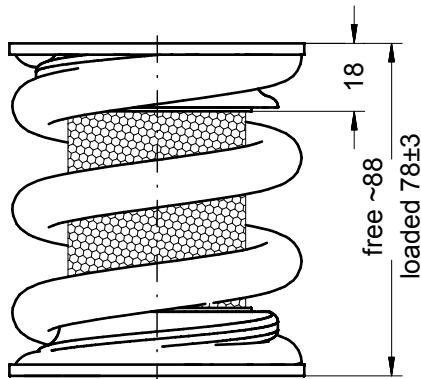
type	load
FR-E-79-1-11 A	6 - 11 daN
FR-E-79-1-14 A	8 - 14 daN
FR-E-79-1-20 A	12 - 20 daN
FR-E-79-1-30 A	18 - 30 daN
FR-E-79-1-45 A	24 - 45 daN
FR-E-79-1-75 A	40 - 75 daN

Spring isolator FR-E-79-()



Applications

- isolation of rotating machines operating above 800 min⁻¹
- e.g. fans, motors, pumps, compressors, cooling units ...



Description

- spring of spring wire, coated black
- damping cushion of stainless steel wire
- scrolls of Al-alloy
- vertical resonant frequency: 7 - 9 Hz
- weight: 1,1 - 1,7 kg according to type
- elastic limit load:
4 g vertical 0,5 g horizontal

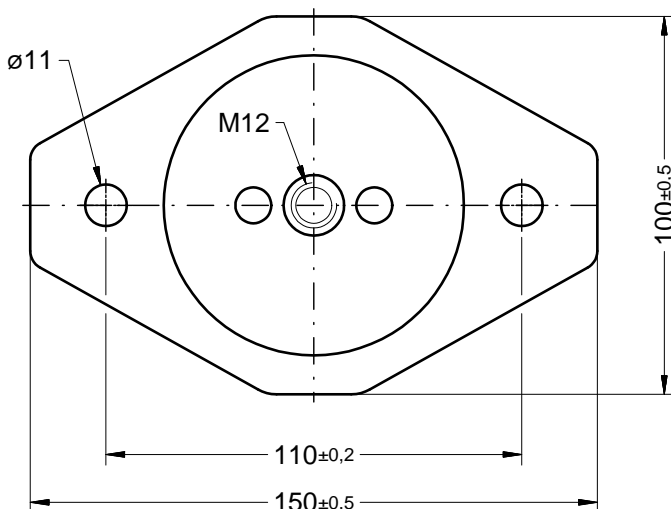
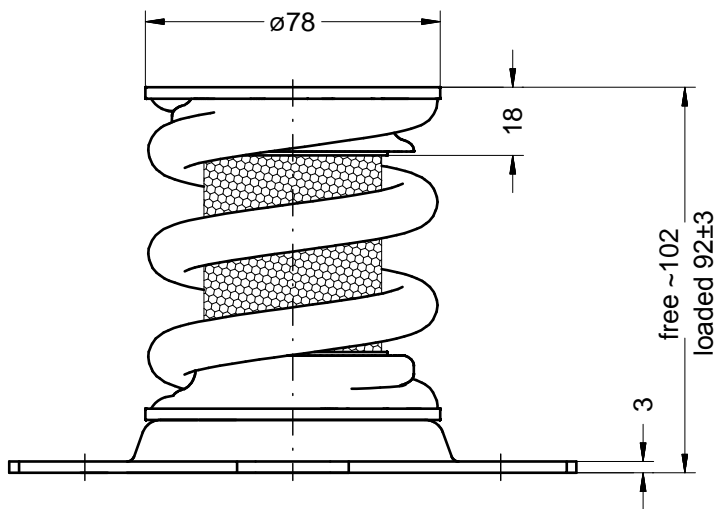
type	load
FR-E-79- 90	40 - 90 daN
FR-E-79-130	60 - 130 daN
FR-E-79-190	110 - 190 daN
FR-E-79-270	170 - 270 daN
FR-E-79-400	250 - 400 daN
FR-E-79-550	350 - 550 daN

Spring isolator FR-E-79-()-A



Applications

- isolation of rotating machines operating above 800 min⁻¹
- e.g. fans, motors, pumps, compressors, cooling units ...



Description

- fixing plate of steel, zinc coated
- spring of spring wire, coated black
- damping cushion of stainless steel wire
- scrolls of Al-alloy
- vertical resonant frequency: 7 - 9 Hz
- weight: 1,1 - 1,7 kg according to type
- elastic limit load:
4 g vertical 0,5 g horizontal

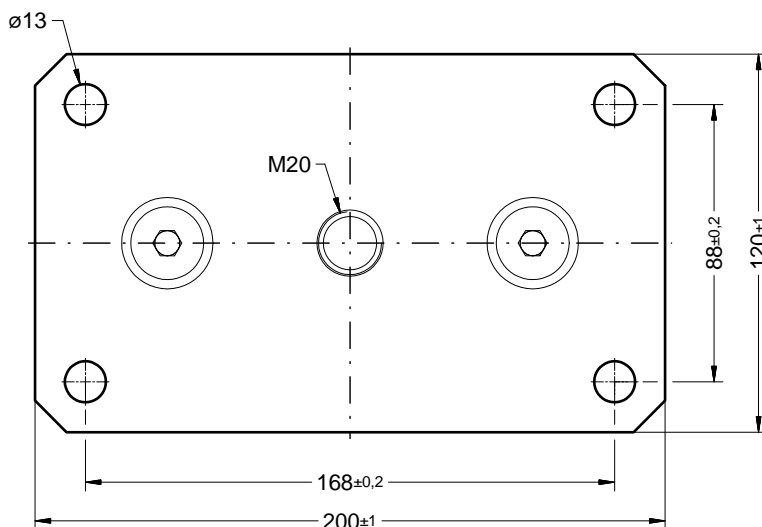
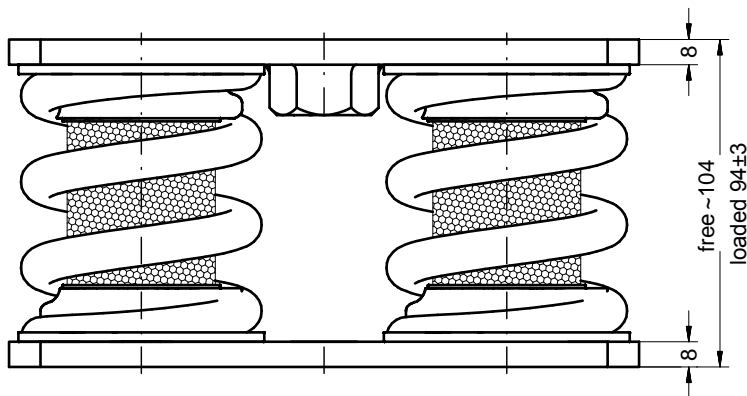
type	load
FR-E-79- 90-A	40 - 90 daN
FR-E-79-130-A	60 - 130 daN
FR-E-79-190-A	110 - 190 daN
FR-E-79-270-A	170 - 270 daN
FR-E-79-400-A	250 - 400 daN
FR-E-79-550-A	350 - 550 daN

spring isolator
FR-E2-79-()



Applications

- isolation of rotating machines operating above 800 min⁻¹
- e.g. fans, motors, pumps, compressors, cooling units ...



Description

- top and bottom plate of steel, zinc coated
- springs of spring wire, coated black
- damping cushions of stainless steel wire
- scrolls of Al-alloy
- vertical resonant frequency: 7 - 9 Hz
- weight: 4,5 - 5,7 kg according to type
- elastic limit load:
 4 g vertical 0,5 g horizontal

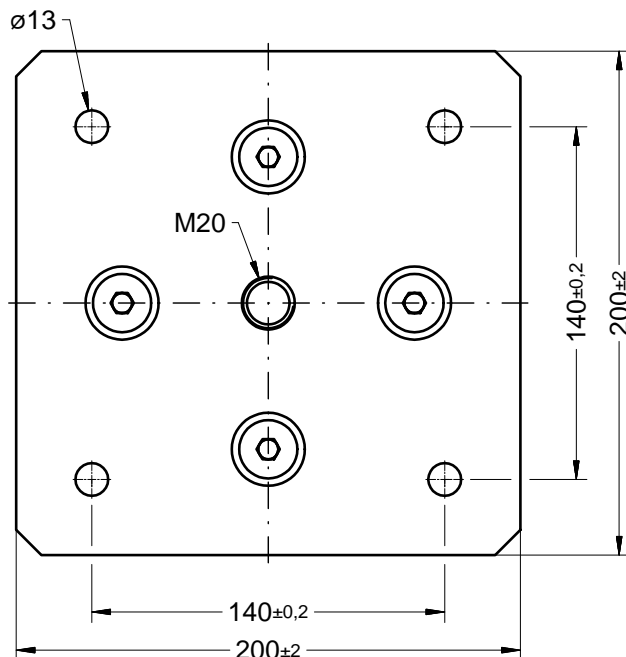
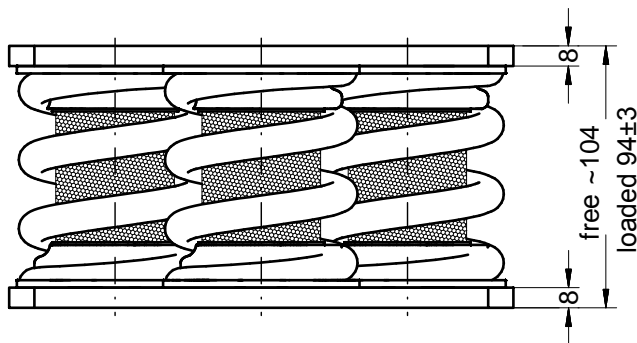
type	load
FR-E2-79- 180	80 - 180 daN
FR-E2-79- 260	120 - 260 daN
FR-E2-79- 380	220 - 380 daN
FR-E2-79- 540	340 - 540 daN
FR-E2-79- 800	500 - 800 daN
FR-E2-79-1100	700 - 1100 daN

Spring isolator FR-E4-79-()



Applications

- isolation of rotating machines operating above 800 min^{-1}
- e.g. fans, motors, pumps, compressors, cooling units ...



Description

- top and bottom plate of steel, zinc coated
- springs of spring wire, coated black
- damping cushion of stainless steel wire
- scrolls of Al-alloy
- vertical resonant frequency: 7 - 9 Hz
- weight: 8,3 - 10,6 kg according to type
- elastic limit load:
4 g vertical 0,5 g horizontal

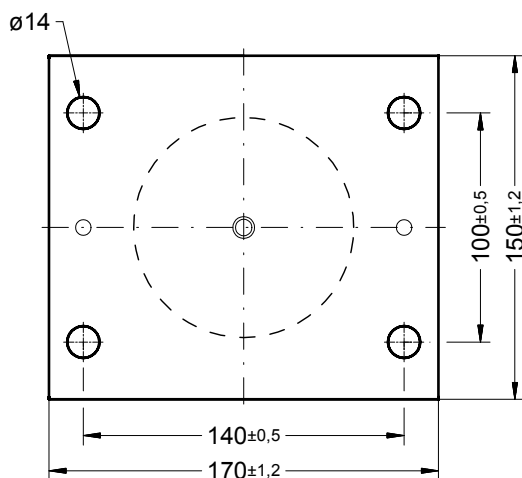
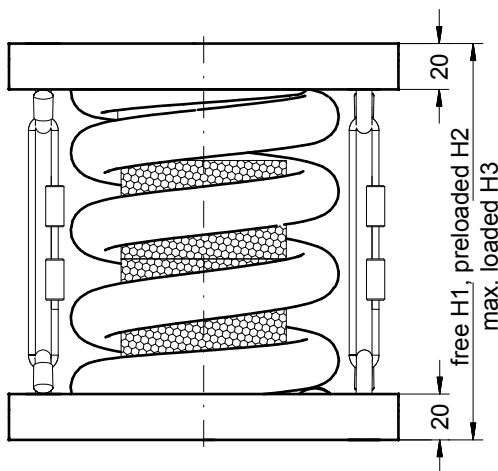
type	load
FR-E4-79- 360	160 - 360 daN
FR-E4-79- 520	240 - 520 daN
FR-E4-79- 760	440 - 760 daN
FR-E4-79-1080	680 - 1080 daN
FR-E4-79-1600	1000 - 1600 daN
FR-E4-79-2200	1400 - 2200 daN

Spring isolator FR-E-35/46-2000



Applications

- isolation of rotating machines operating above 500 min⁻¹
- e.g. fans, motors, pumps, compressors, cooling units, test stands ...



Description

- Top and bottom plate of steel, KTL coated
- Spring of spring steel wire, black coated
- Damping cushion of stainless steel wire
- Spring end caps of steel, KTL coated
- Natural vertical frequency:
 - FR-E-35-2000 3-5 Hz
 - FR-E-46-2000 4-6 Hz
- Weight: 13 - 14 kg depending on type

Type	Load
FR-E-35-2000	1000-2000 daN
FR-E-46-2000	1000-2000 daN

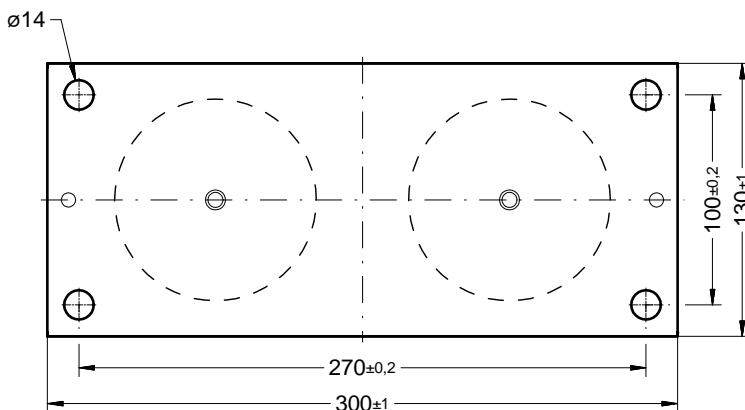
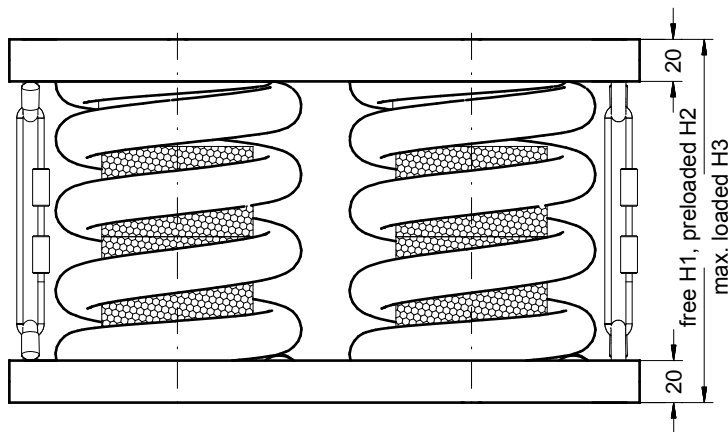
Type	Dimensions in mm		
	H1	H2	H3
FR-E-35-2000	173	168	143
FR-E-46-2000	143	138	128

Spring isolator FR-E2-35/46-4000



Applications

- isolation of rotating machines operating above 500 min⁻¹
- e.g. fans, motors, pumps, compressors, cooling units, test stands ...



Description

- Top and bottom plate of steel, KTL coated
- Springs of spring steel wire, black coated
- Damping cushion of stainless steel wire
- Spring end caps of steel, KTL coated
- Natural vertical frequency:
 - FR-E2-35-4000 3-5 Hz
 - FR-E2-46-4000 4-6 Hz
- Weight: 17 - 18 kg depending on type

Type	Load
FR-E2-35-4000	2000-4000 daN
FR-E2-46-4000	2000-4000 daN

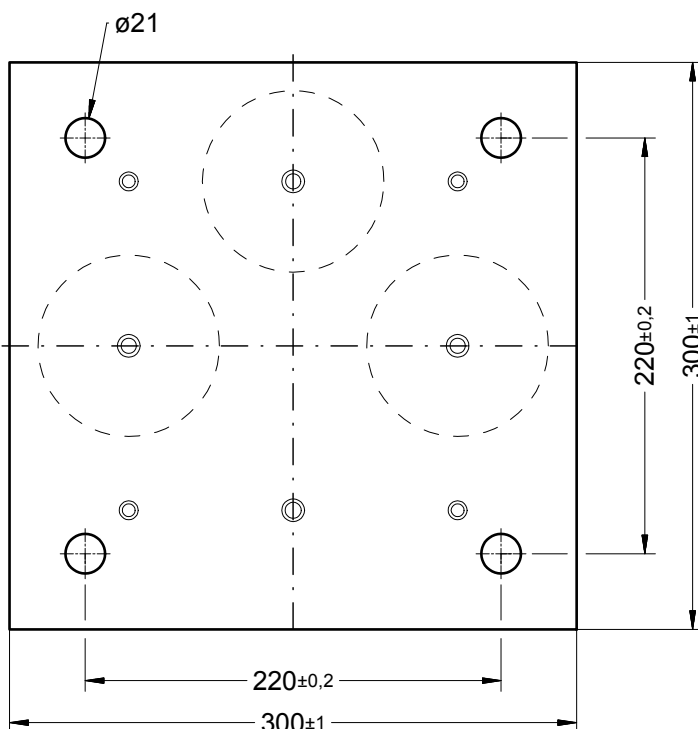
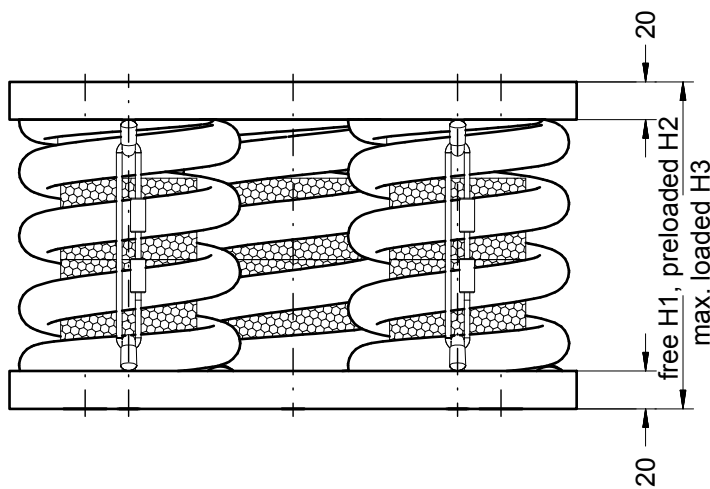
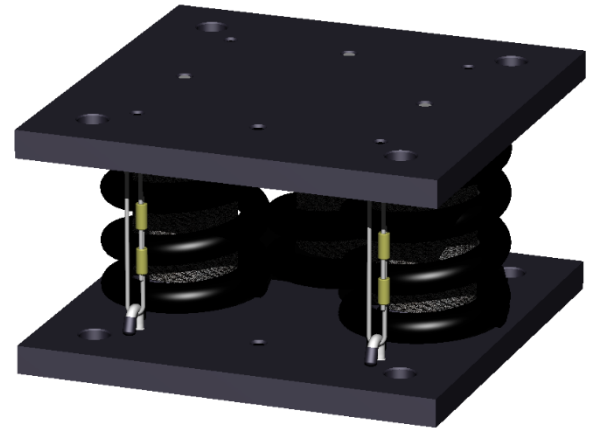
Type	Dimensions in mm		
	H1	H2	H3
FR-E2-35-4000	173	168	143
FR-E2-46-4000	143	138	128

Spring isolator FR-E3-35/46-6000



Applications

- isolation of rotating machines operating above 500 min⁻¹
- e.g. fans, motors, pumps, compressors, cooling units, test stands ...



Description

- Top and bottom plate of steel, KTL coated
- Springs of spring steel wire, black coated
- Damping cushions of stainless steel wire
- Spring end caps of steel, KTL coated

- Natural vertical frequency:

FR-E3-35-6000 3-5 Hz
FR-E3-46-6000 4-6 Hz

- Weight: 41 - 44 kg depending on type

Type	Load
FR-E3-35-6000	3000-6000 daN
FR-E3-46-6000	3000-6000 daN

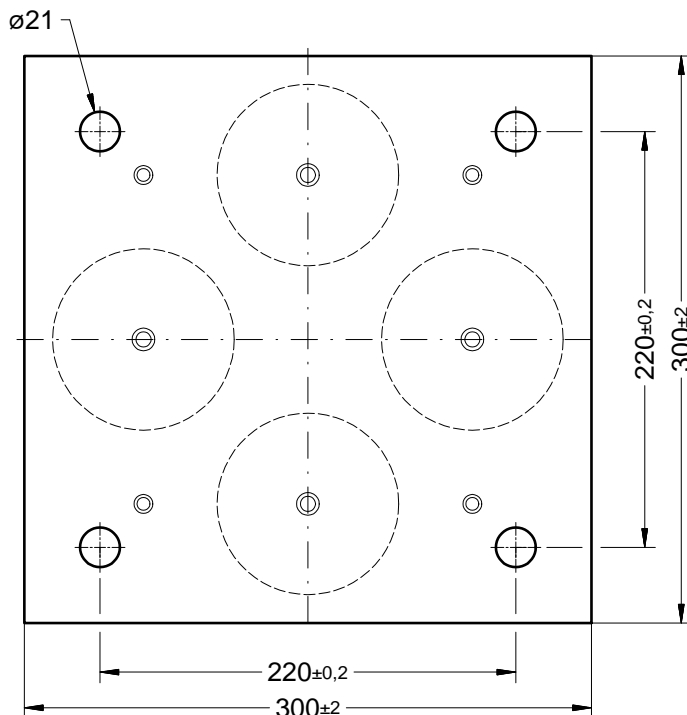
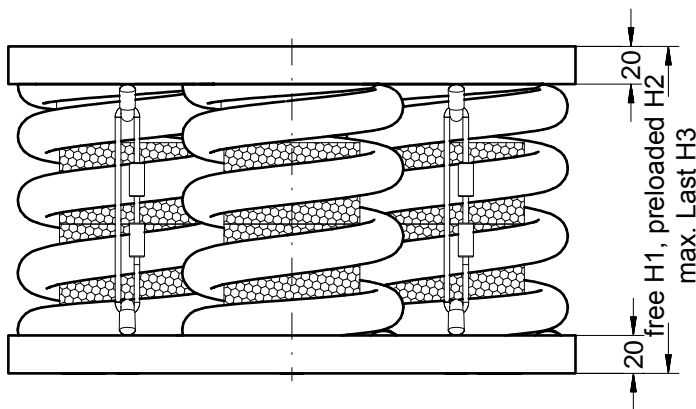
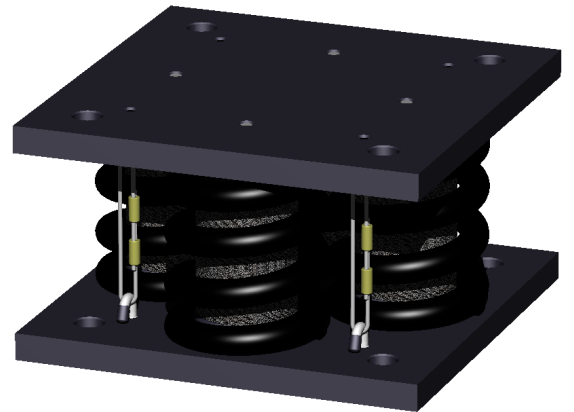
Type	dimensions in mm		
	H1	H2	H3
FR-E3-35-6000	173	168	143
FR-E3-46-6000	143	138	128

Spring isolator FR-E4-35/46-8000



Applications

- isolation of rotating machines operating above 500 min^{-1}
- e.g. fans, motors, pumps, compressors, cooling units, test stands ...



Description

- Top and bottom plate of steel, KTL coated
- Springs of spring steel wire, black coated
- Damping cushions of stainless steel wire
- Spring end caps of steel, KTL coated
- Natural vertical frequency:
 - FR-E4-35-8000 3-5 Hz
 - FR-E4-46-8000 4-6 Hz
- Weight: 45 - 48 kg depending on type

Type	Load
FR-E4-35-8000	4000-8000 daN
FR-E4-46-8000	4000-8000 daN

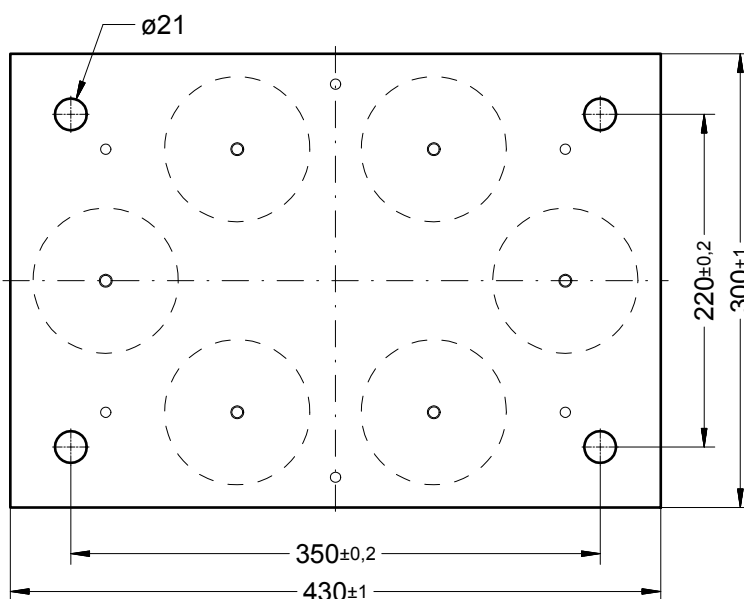
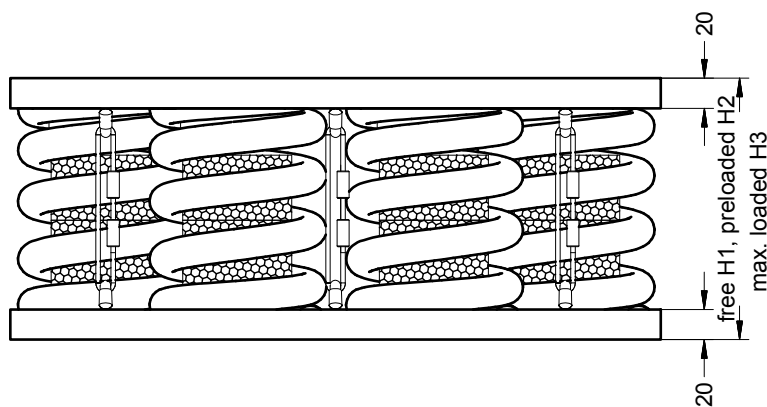
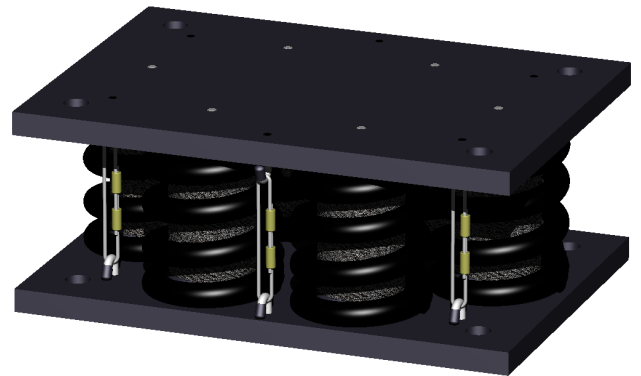
Type	Dimensions in mm		
	H1	H2	H3
FR-E4-35-8000	173	168	143
FR-E4-46-8000	143	138	128

Spring isolator FR-E6-35/46-12000



Applications

- isolation of rotating machines operating above 500 min⁻¹
- e.g. fans, motors, pumps, compressors, cooling units, test stands ...



Description

- Top and bottom plate of steel, KTL coated
- Springs of spring steel wire, black coated
- Damping cushions of stainless steel wire
- Spring end caps of steel, KTL coated

- Natural vertical frequency:

FR-E6-35-12000 3-5 Hz

FR-E6-46-12000 4-6 Hz

- Weight: 66 - 71 kg depending on type

Type	Load
FR-E6-35-12000	6000-12000 daN
FR-E6-46-12000	6000-12000 daN

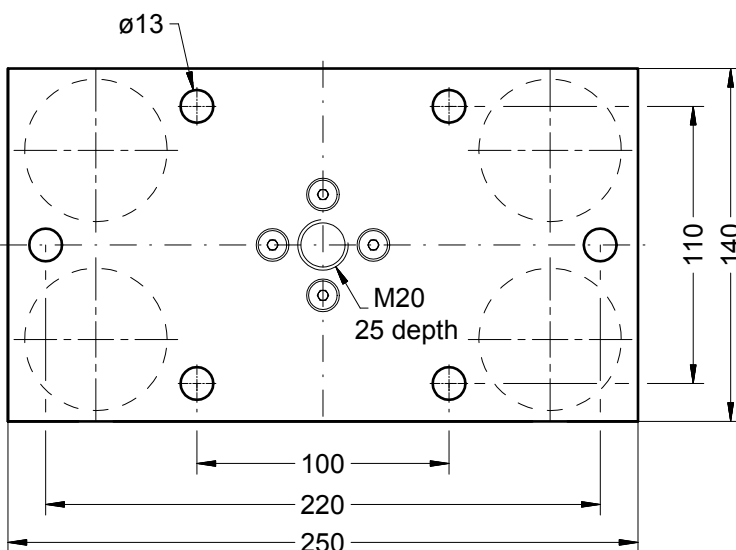
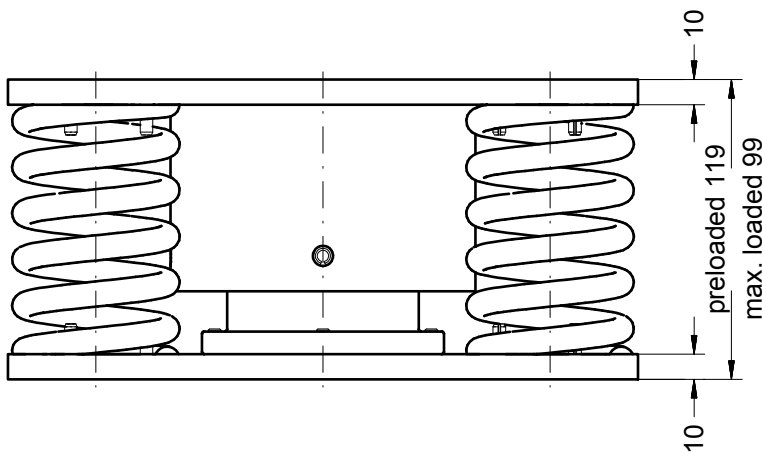
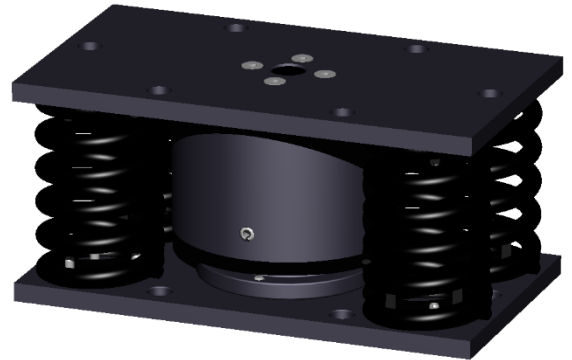
Type	dimensions in mm		
	H1	H2	H3
FR-E6-35-12000	173	168	143
FR-E6-46-12000	143	138	128

Spring isolator viscous damping



Application

- Resilient suspension of rotating and shock machines
- Machines operating in resonant frequencies
- Machines which amplify while running through resonance



Description

- top and bottom plate of steel, KTL coated
- Springs of spring steel wire, black coated
- Closed damping system filled with viscous fluid
- Natural vertical frequency: 3 - 4 Hz
- Weight: 11 - 12 kg depending on amount of springs

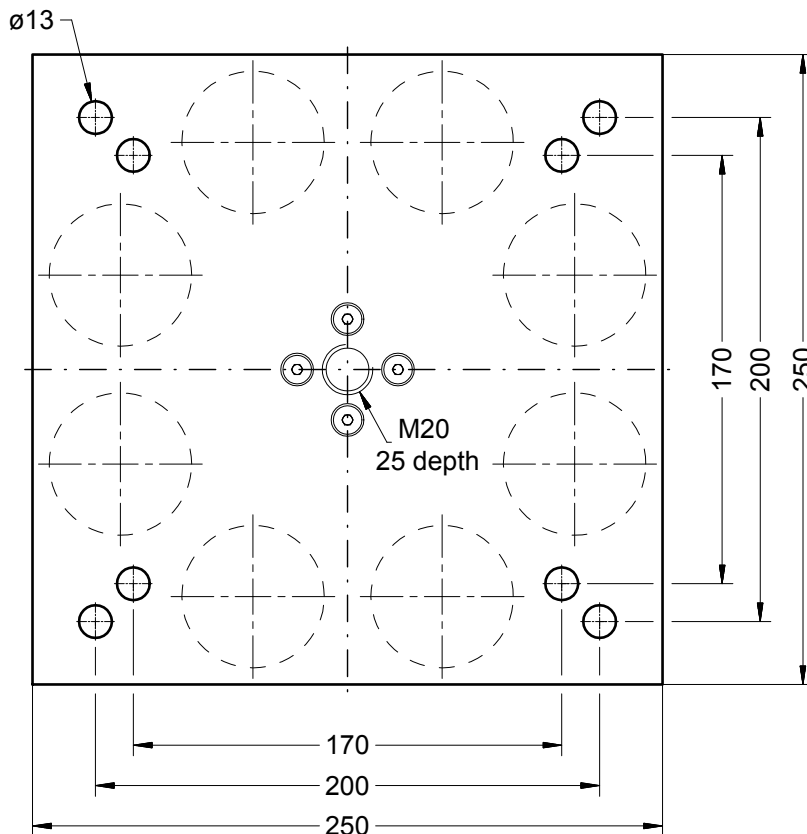
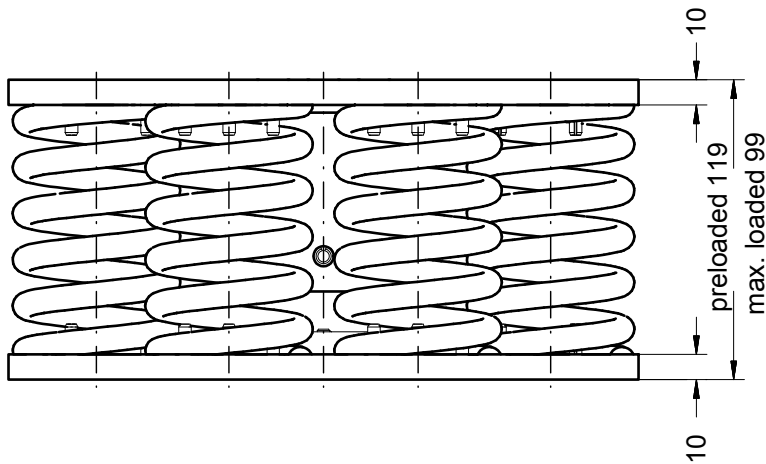
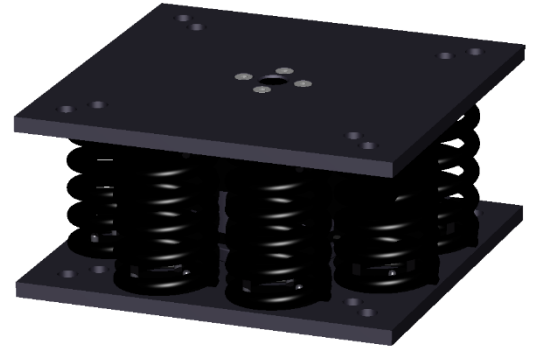
Type	load
FV-E2-34- 800	400- 800 daN
FV-E3-34-1200	600-1200 daN
FV-E4-34-1600	800-1600 daN

Spring isolator viscous damping



Application

- Resilient suspension of rotating and shock machines
- Machines operating in resonant frequencies
- Machines which amplify while running through resonance



Description

- top and bottom plate of steel, KTL coated
- Springs of spring steel wire, black coated
- Closed damping system filled with viscous fluid
- Natural vertical frequency: 3 - 4 Hz
- Weight: 16 - 19 kg depending on amount of springs

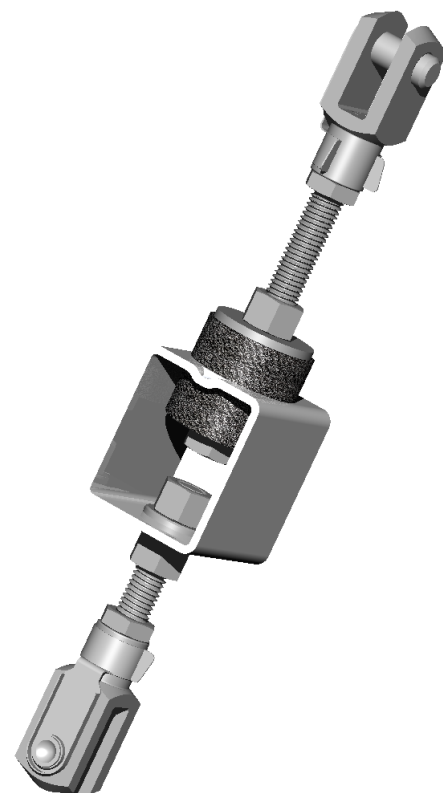
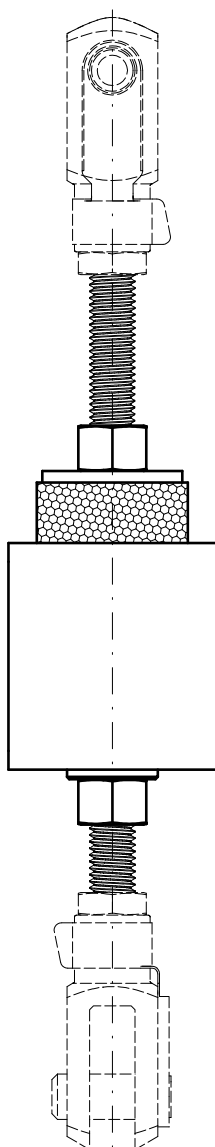
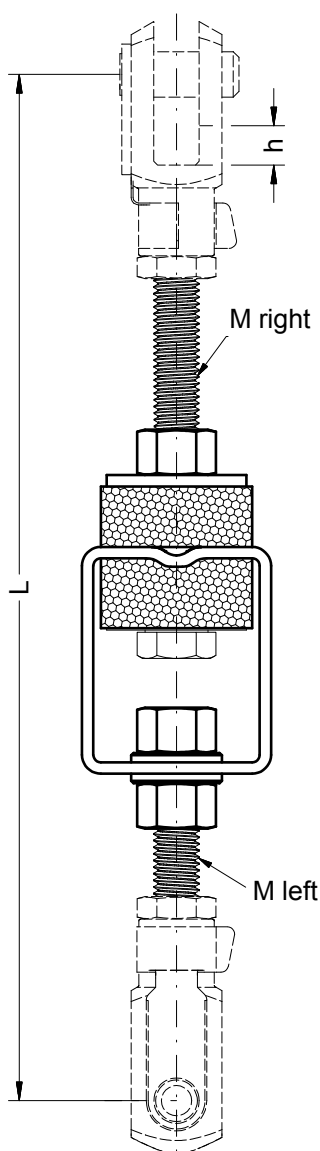
type	load
FV-E5-34-2000	1000-2000 daN
FV-E6-34-2400	1200-2400 daN
FV-E7-34-2800	1400-2800 daN
FV-E8-34-3200	1600-3200 daN

weight-bearing element GAB-()-2



Applications

- Elastic suspension for exhaust pipes to adjust thermal expansion



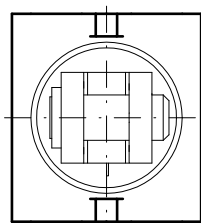
Description

- square profile of steel, zinc coated
- Screws, nuts and washers of steel, zinc coated
- Damping cushion of stainless steel wire
- Resonant frequency: 15 - 20 Hz

Accessories

(excluded from delivery)

- right handed thread fork head
- left handed thread fork head



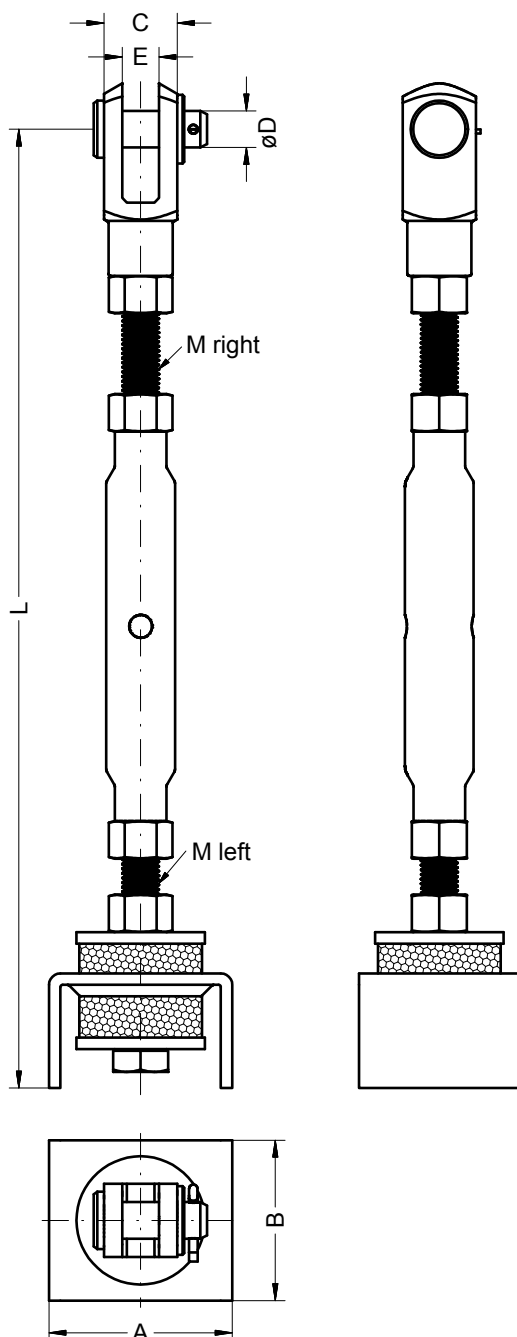
Type	Dimensions [mm]			Load [daN]	
	L	h	M	static	max.dynamic
GAB-150-2	~ 180	~ 12	M 10	30-150	300
GAB-200-2	~ 250	~ 12	M 12	40-200	400
GAB-250-2	~ 360	~ 15	M 16	50-250	500
GAB-500-2	~ 370	~ 15	M 20	100-500	1000

Weight bearing element GAB-()-5



Applications

- Elastic suspension for exhaust pipes to adjust thermal expansion



Description

- housing steel profile, KTL coated
- screws, nuts, washers and fork head of steel, zinc coated
- turnbuckle of steel, zinc coated
- damping cushion of stainless steel wire
- ageing resistance
- maintenance free
- natural frequency : 15 - 20 Hz

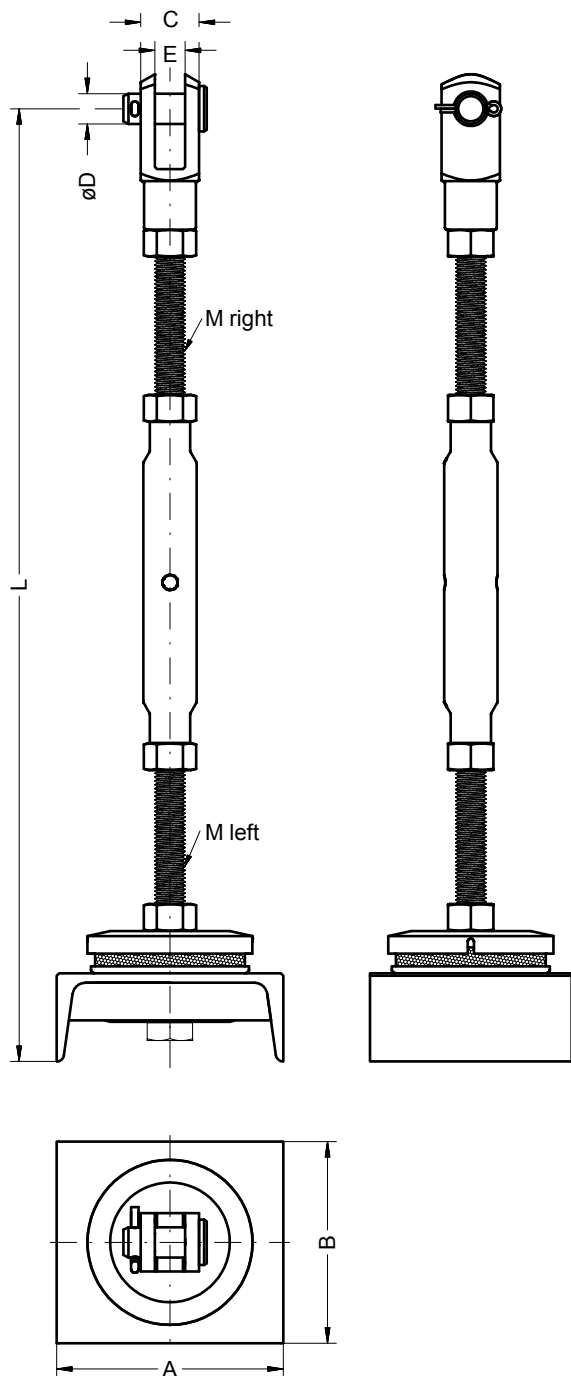
type	dimensions in mm							load in daN		weight in kg
	A	B	C	ØD	E	M	L	statisch	dynamisch	
GAB- 250-5	80	70	32	16	16	M16	~420	50 – 250	500	2,3
GAB- 500-5							~480	100 – 500	1000	2,4
GAB- 900-5	100	100	40	20	20	M20	~610	150 – 900	1800	4,4
GAB-1500-5							~650	300 – 1500	3000	4,5

Weight bearing element GAB-()-5



Applications

- suspension of exhaust pipes to absorb heat expansion



Description

- U-profile and cushion seat of steel, KTL coated
- fork head, screws and nuts of steel, zinc coated
- turnbuckle of steel, zinc coated
- damping cushions of stainless steel wire
- ageing resistance
- maintenance free
- resonant frequency: 15 - 20 Hz

Type	dimensions in mm							load capacity in daN		weight in kg
	A	B	C	ØD	E	M	L	statisch	dynamisch	
GAB-2500-5	180	160	50	25	25	M24	~800	750 – 2500	5000	~12
GAB-5000-5	220	220						1000 – 5000	10000	~20

subject to alteration

RG+ Schwingungstechnik GmbH * Steiger-Stein-Str.3 * D-44805 Bochum * Phone +49234/5162080 * Fax +49234/51620829

01.04.2008