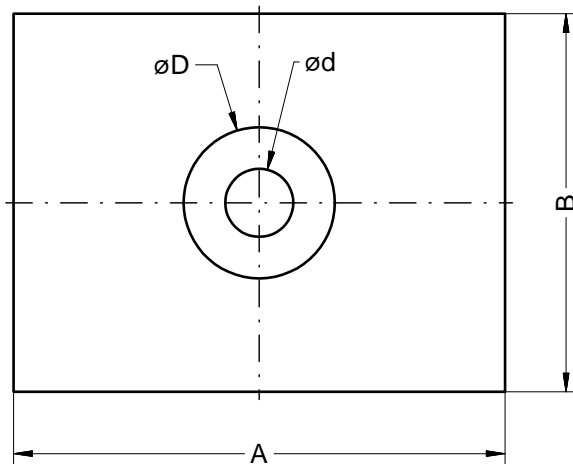
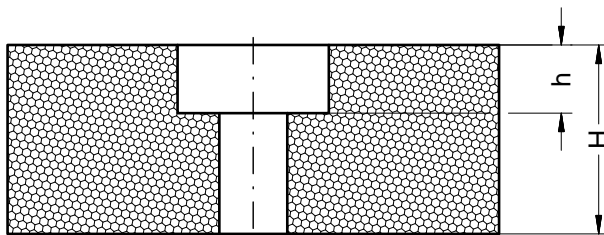


Applications

- resilient suspension of gears, pumps, fans ...
- construction element for vibrating structures



Description

- high static and dynamic load capacity
- material: stainless steel wire
- resonant frequency: 15 - 20 Hz

Cushions listed in the table below are a small selection only.

Elements with other dimensions are available on demand.

Type	dimensions in mm						static load in daN
	Ø D	Ø d	A	B	H	h	
GKR-80-1	11,0	6,4	29,9	29,9	19,0	8,5	10 – 80
GKR-300-1	20,0	9,0	53,0	49,0	25,0	9,0	30 – 300
GKR-300-11	---	---	50,0	47,0	22,0	---	30 – 300
GKR-500-1	20,0	9,0	65,0	50,0	25,0	9,0	30 – 500
GKR-2000-2	---	---	100,0	100,0	34,0	---	300 – 2000