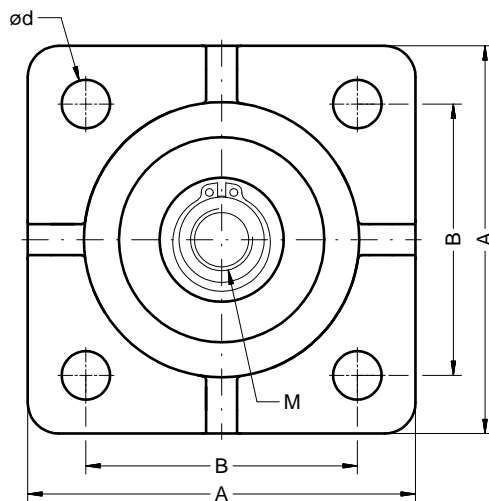
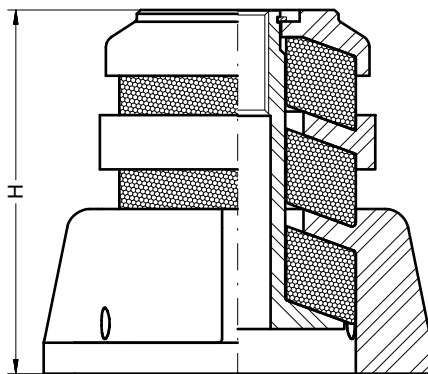
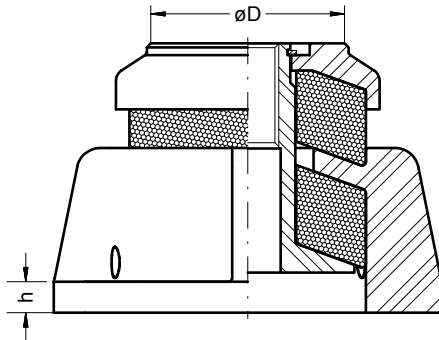


all-metal-damper GDZ-()-1



Applications

- resilient suspension of motors, pumps
generators, exhaust pipes ...



standard



type "D"

Description

- housing of mild steel, KTL coated
- axis, top cover and cushion seat of steel, KTL-coated
- safety ring DIN 471, stainless steel
- damping cushion of stainless steel wire
- high static and dynamic load capacity
- compact design
- long lifetime
- maintenance free

type	dimensions [mm]							load [daN] compression - tension		frequency [Hz]	weight [kg]	
	A	B	$\varnothing D$	$\varnothing d$	H	h	M	static	dynamic			
GDZ- 60-1	80	64	35	8,2	50	6	M12	5 - 60	200	15 - 20	0,7	
GDZ-250-1					50 - 250			500				
GDZ-T- 60-1					75			5 - 60	200	8 - 10		0,8
GDZ-T-250-1					50 - 250			500				
GDZ- 900-1	100	70	52	12,5	70	8	M16	50 - 900	3500	15 - 20	1,4	
GDZ-D-900-1					94					11 - 15	1,7	
GDZ- 1500-1					84					15 - 20	3,1	
GDZ-D-1500-1	130	100	58	109	10		250 -1500		11 - 15	3,7		