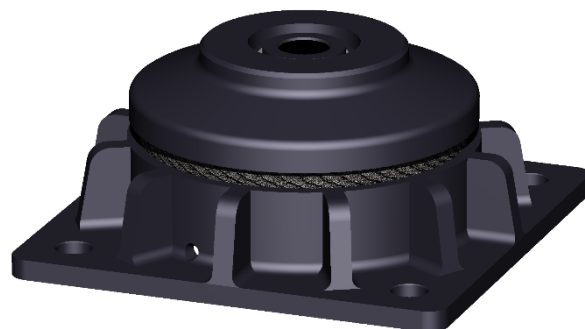
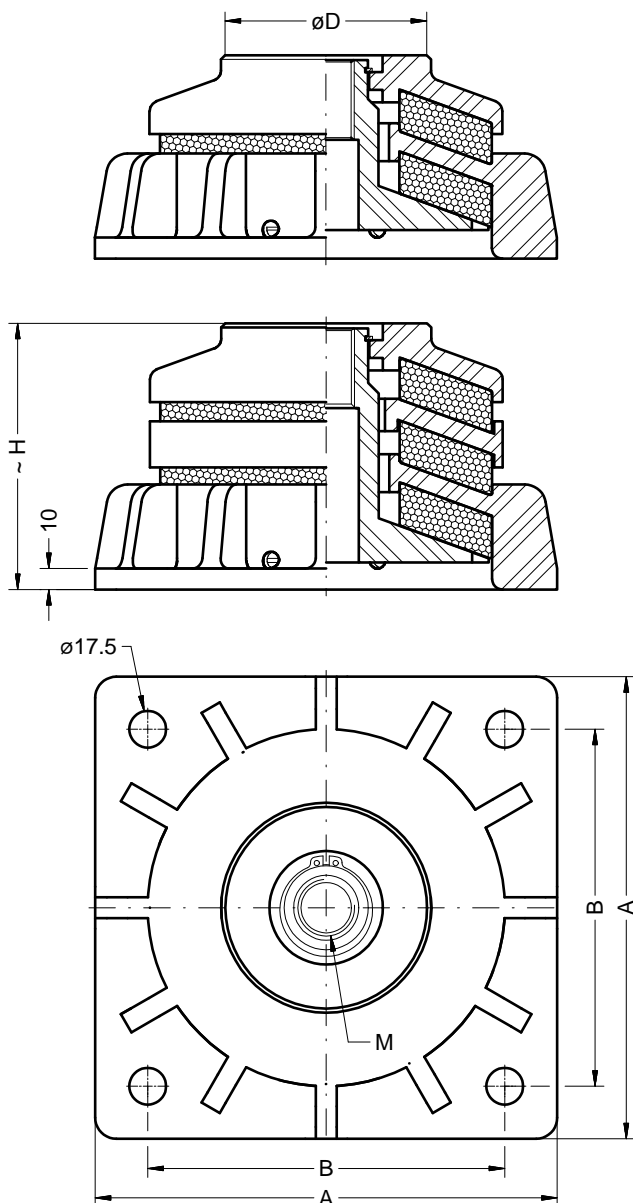


all-metal-damper GDZ-()-1

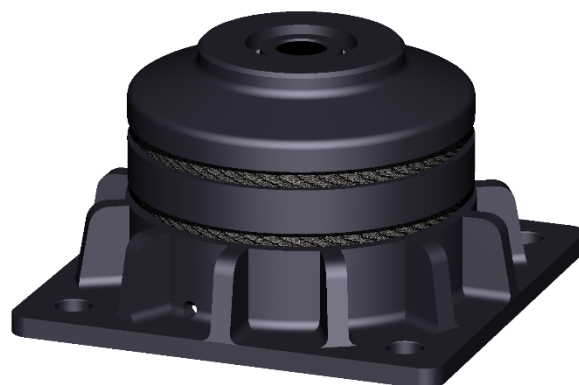


Applications

- resilient suspension of motors, pumps, generators, exhaust pipes ...



standard



type "D"

Description

- housing of mild steel, KTL coated
- axis, top cover and cushion seat of steel, KTL-coated
- safety ring DIN 471, stainless steel
- damping cushion of stainless steel wire
- high static and dynamic load capacity
- compact design
- long lifetime
- maintenance free

type	dimensions [mm]					load [daN] compression - tension		frequency	weight
	A	B	$\varnothing D$	H	M	static	dynamic	[Hz]	[kg]
GDZ- 2500-1	202	152	96	86	M20	500 - 2500	12500	15 - 20	~ 8,6
GDZ-D-2500-1				113				11 - 15	~ 10,5
GDZ- 7000-1	220	170		97	M27	500 - 7000	22500	15 - 20	~ 12,6
GDZ-D-7000-1				127				11 - 15	~ 13,7