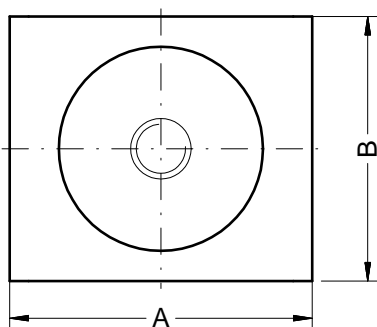
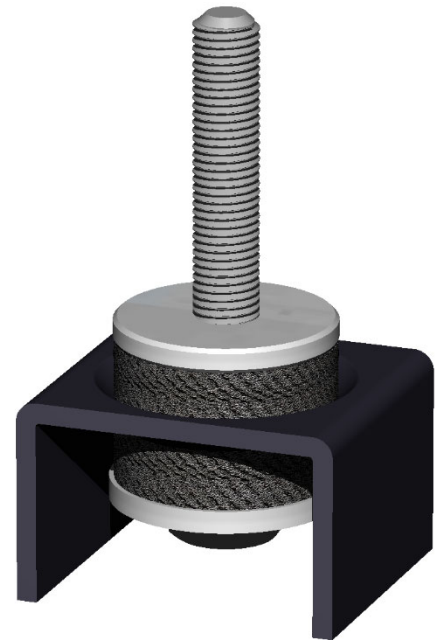
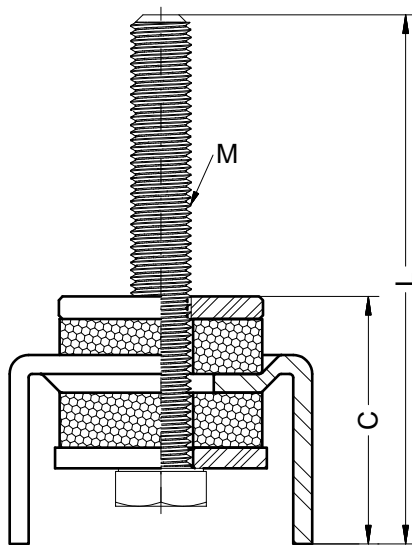


all-metal-damper  
**GDZ-( )-5-1**



**Applications**

- resilient suspension of motors, pumps ,generators, exhaust pipes



**Description**

- cushion seat of steel, KTL coated
- washers and screw of steel, zinc coated
- damping cushions of stainless steel wire
- high static and dynamic load capacity
- ageing resistance
- maintenance free
- resonant frequency: 15 - 20 Hz

Type	dimensions in mm					load capacity in daN		weight in kg
	A	B	C	M	L	static	dynamic	
GDZ- 250-5-1	80	70	67	M16	140	50 – 250	500	~1,0
GDZ- 500-5-1					170	100 – 500	1000	
GDZ- 900-5-1	100	100	70	M20	170	150 – 900	1800	~2,1
GDZ-1500-5-1						300 – 1500	3000	