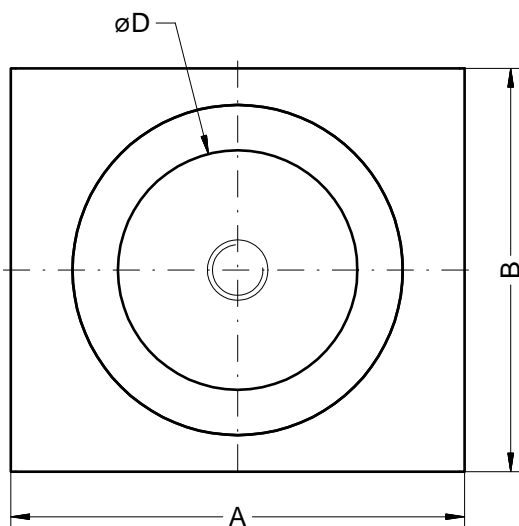
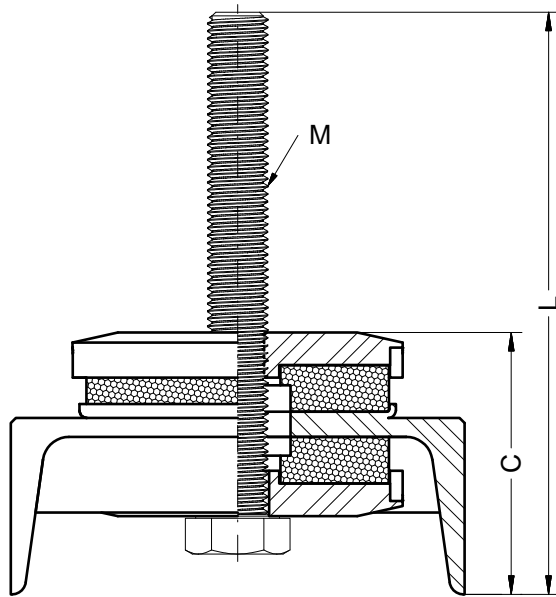


All-metal-damper GDZ-()-5-1



Applications

- resilient suspension of motors, pumps, generators, exhaust pipes ...



Description

- U-profile, cushion seat of steel, KTL coated
- screw of steel, zinc coated
- damping cushion of stainless steel wire
- high static and dynamic load capacity
- ageing resistance
- maintenance free
- resonant frequency: 15 - 20 Hz

| Type | dimensions in mm | | | | | load capacity in daN | | weight in kg | |
|--------------|------------------|-----|-----|-----|-----|----------------------|-------------|--------------|-------|
| | A | B | C | ØD | M | static | dynamic | | |
| GDZ-2500-5-1 | 180 | 160 | 103 | 95 | M24 | 225 | 750 – 2500 | 5000 | ~ 8,3 |
| GDZ-5000-5-1 | 220 | 220 | 123 | 158 | | 230 | 1000 – 5000 | 10000 | ~16,0 |
| GDZ-8000-5-1 | | | | | | | 1000 – 8000 | 16000 | |