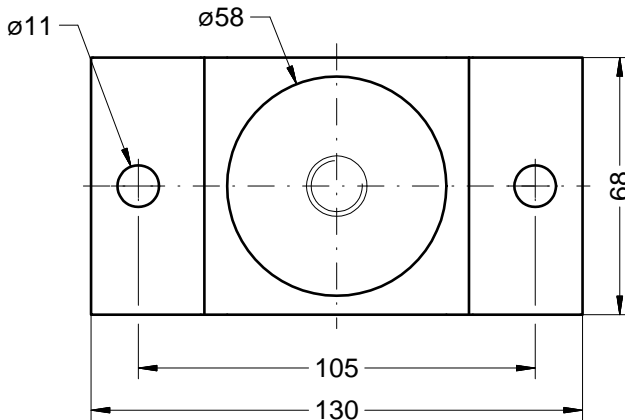
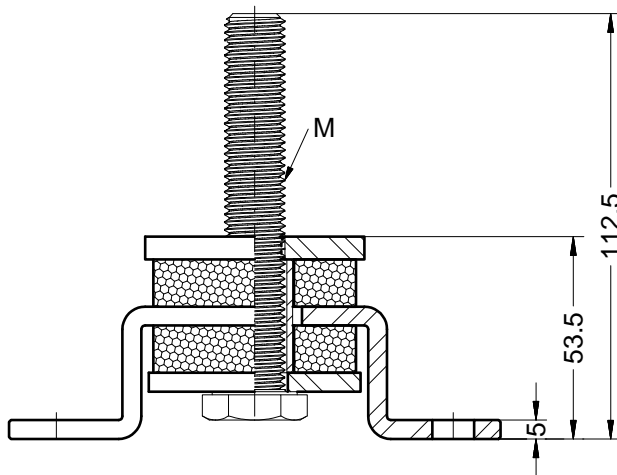
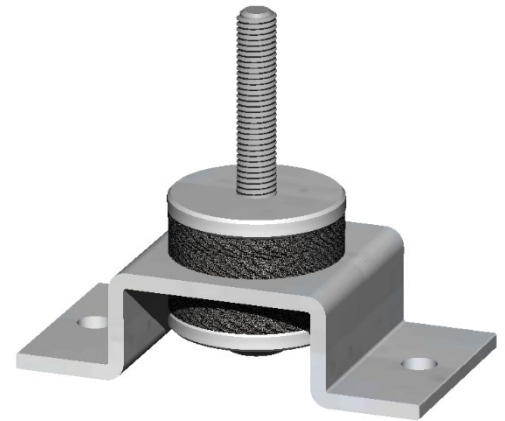


all-metal-damper
GDZ-()-5



Applications

- resilient suspension of motors, pumps, generators, exhaust pipes ...



Description

- profile, screw, axis and discs of steel, zinc coated
- damping cushion of stainless steel wire
- high static and dynamic load capacity
- long lifetime
- maintenance free
- weight: 0,85 – 1,0 kg
- thread: GDZ-250-5 - M12
GDZ-500-5 - M16

accessories:

- welding plate ASP-250-5

type	static load in daN	frequency in Hz
GDZ-250-5	50 - 250	15-20
GDZ-500-5	50 - 500	20-25