

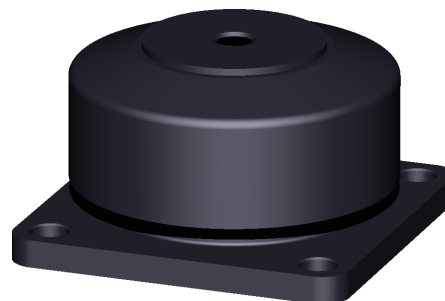
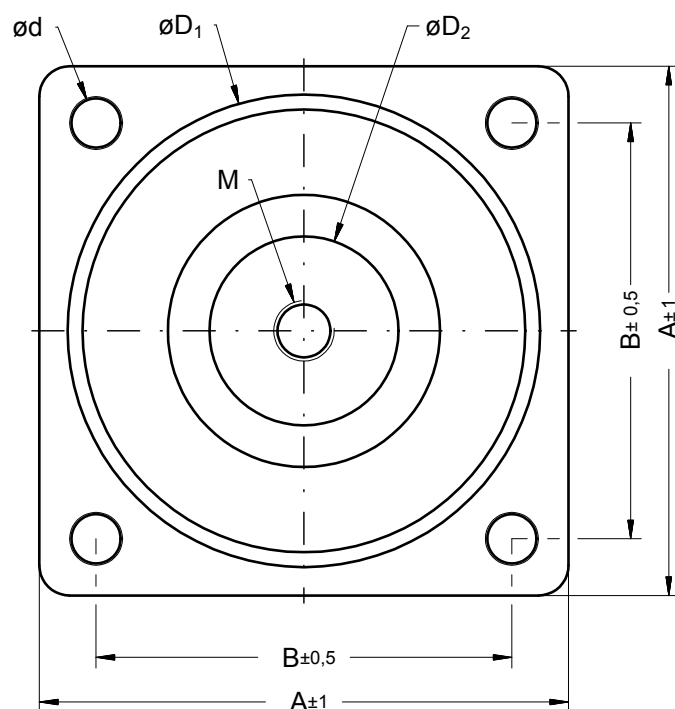
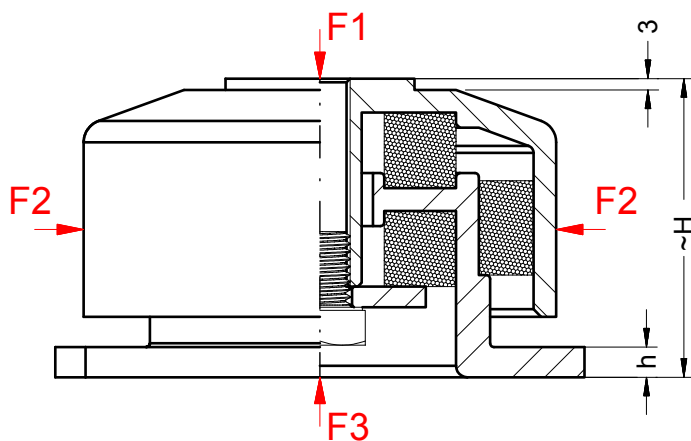
all-metal-damper GDZ-()-7



Applications

Resilient suspension of

- rotating machines, engines, pumps
- exhaust pipes, railway applications



Description

- housing and housing cover of cast steel, KTL coated
- cushions of stainless steel wire
- screw and washer of steel, zinc coated
- high static load capacity, especially for radial forces
- high dynamic load capacity
- Ageing resistance
- vertical resonance frequency: 15 - 20 Hz

Type	static load (daN)		
	F1	F2	F3
GDZ-250-7	50-250	250	250
GDZ-700-7	100-700	1500	700
GDZ-1500-7	500-1500	1500	1500
GDZ-3500-7	1500-3500	3500	3500

Type	dynamic load (daN)		
	F1	F2	F3
GDZ-250-7	500	1250	500
GDZ-700-7	3500	7500	2100
GDZ-1500-7	7500	7500	3000
GDZ-3500-7	17500	10000	7000

Type	dimensions (mm)								m (kg)
	A	B	H	h	M	d	D1	D2	
GDZ-250-7	100	80	57	8	M12	10,5	93	52	~1,9
GDZ-700-7	140	110	79	8	M16	13	125	50	~3,6
GDZ-1500-7	140	110	79	8	M16	13	125	50	~3,7
GDZ-3500-7	200	160	93	10	M24	17	180	75	~9,5