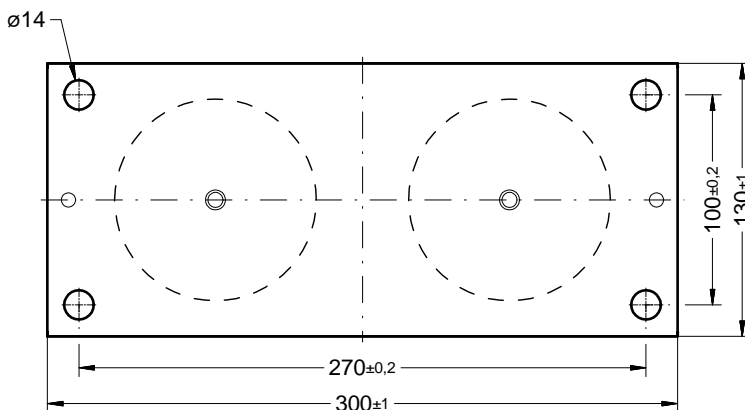
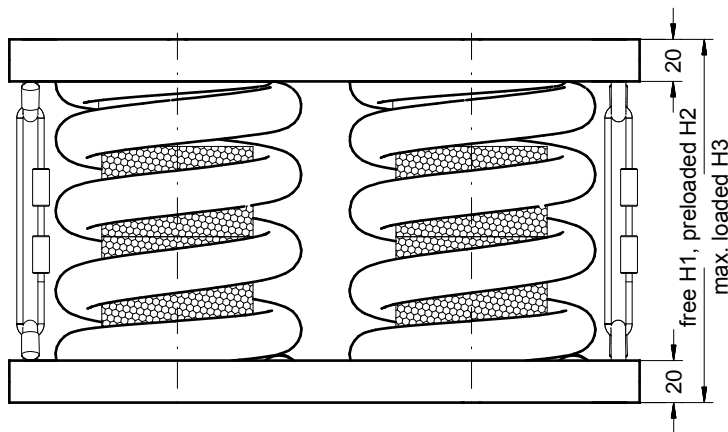


Spring isolator FR-E2-35/46-4000



Applications

- isolation of rotating machines operating above 500 min⁻¹
- e.g. fans, motors, pumps, compressors, cooling units, test stands ...



Description

- Top and bottom plate of steel, KTL coated
- Springs of spring steel wire, black coated
- Damping cushion of stainless steel wire
- Spring end caps of steel, KTL coated
- Natural vertical frequency:
 - FR-E2-35-4000 3-5 Hz
 - FR-E2-46-4000 4-6 Hz
- Weight: 17 - 18 kg depending on type

Type	Load
FR-E2-35-4000	2000-4000 daN
FR-E2-46-4000	2000-4000 daN

Type	Dimensions in mm		
	H1	H2	H3
FR-E2-35-4000	173	168	143
FR-E2-46-4000	143	138	128