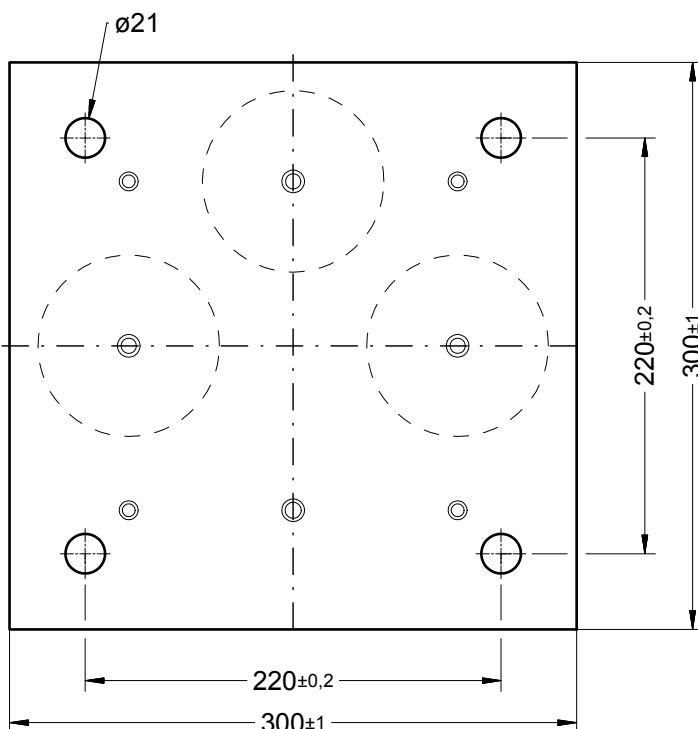
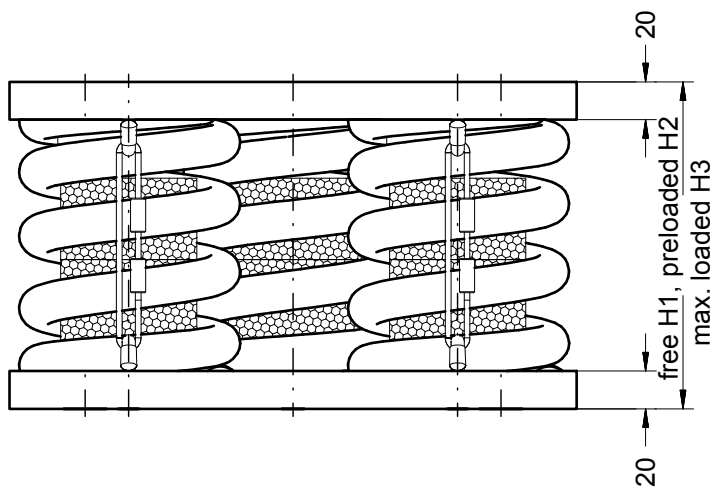
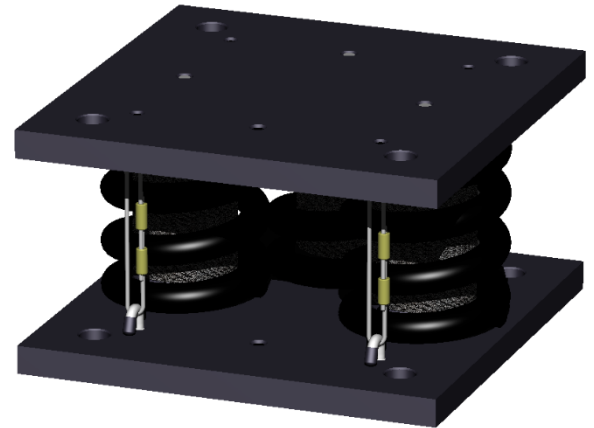


# Spring isolator FR-E3-35/46-6000



## Applications

- isolation of rotating machines operating above 500 min<sup>-1</sup>
- e.g. fans, motors, pumps, compressors, cooling units, test stands ...



## Description

- Top and bottom plate of steel, KTL coated
- Springs of spring steel wire, black coated
- Damping cushions of stainless steel wire
- Spring end caps of steel, KTL coated

- Natural vertical frequency:

FR-E3-35-6000 3-5 Hz  
FR-E3-46-6000 4-6 Hz

- Weight: 41 - 44 kg depending on type

Type	Load
FR-E3-35-6000	3000-6000 daN
FR-E3-46-6000	3000-6000 daN

Type	dimensions in mm		
	H1	H2	H3
FR-E3-35-6000	173	168	143
FR-E3-46-6000	143	138	128