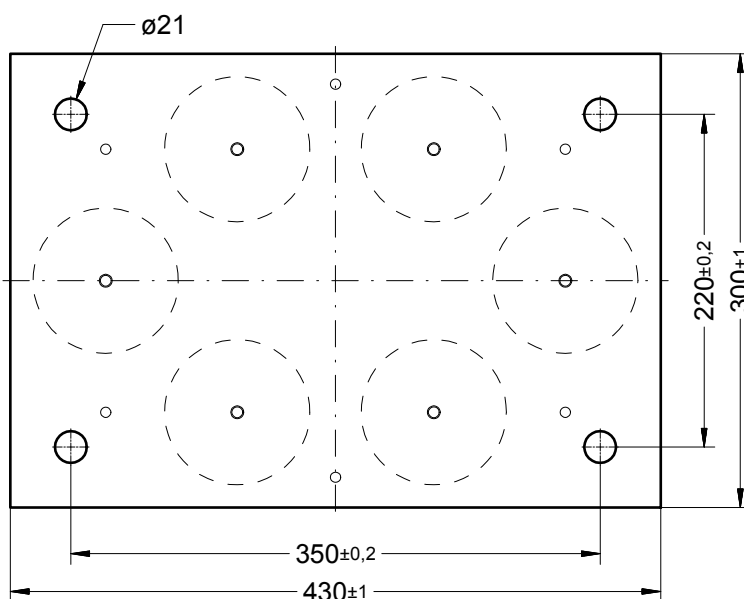
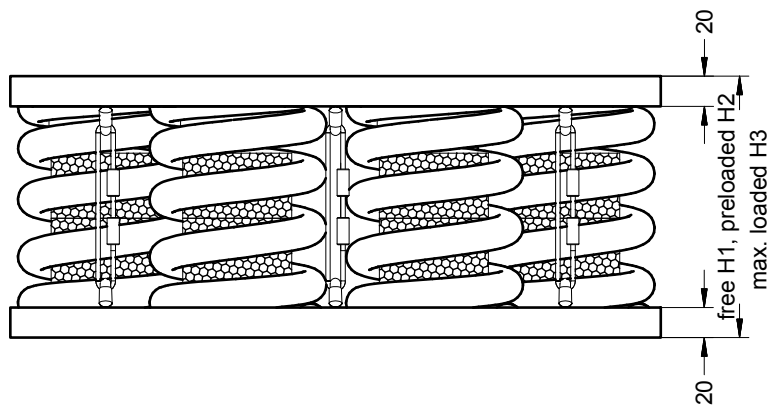
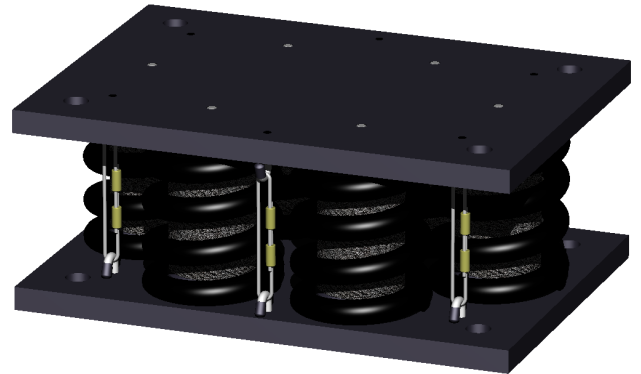


Spring isolator FR-E6-35/46-12000



Applications

- isolation of rotating machines operating above 500 min⁻¹
- e.g. fans, motors, pumps, compressors, cooling units, test stands ...



Description

- Top and bottom plate of steel, KTL coated
- Springs of spring steel wire, black coated
- Damping cushions of stainless steel wire
- Spring end caps of steel, KTL coated

- Natural vertical frequency:

FR-E6-35-12000 3-5 Hz

FR-E6-46-12000 4-6 Hz

- Weight: 66 - 71 kg depending on type

Type	Load
FR-E6-35-12000	6000-12000 daN
FR-E6-46-12000	6000-12000 daN

Type	dimensions in mm		
	H1	H2	H3
FR-E6-35-12000	173	168	143
FR-E6-46-12000	143	138	128