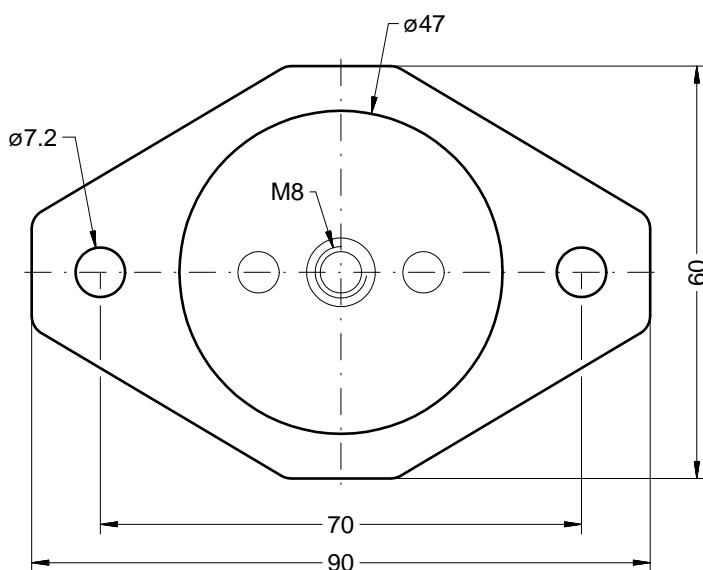
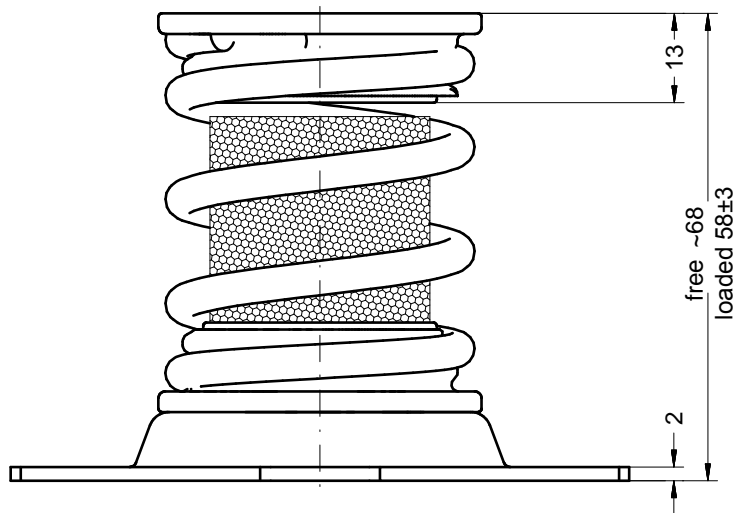


# Spring isolator FR-E-56-1-( )-A



## Applications

- isolation of rotating machines operating above 600 min<sup>-1</sup>
- e.g. fans, motors, pumps, compressors, cooling units ...



## Description

- fixing plate of steel, zinc coated
- spring of spring wire, coated black
- damping cushion of stainless steel wire
- scrolls of Al-alloy
- vertical resonant frequency: 5 - 6 Hz
- weight: 0,2 - 0,25 kg according to type
- elastic limit load:  
2 g vertical      0,5 g horizontal

| type           | load        |
|----------------|-------------|
| FR-E-56-1- 7 A | 5 - 7 daN   |
| FR-E-56-1-10 A | 7 - 10 daN  |
| FR-E-56-1-15 A | 10 - 15 daN |
| FR-E-56-1-20 A | 15 - 20 daN |
| FR-E-56-1-30 A | 20 - 30 daN |
| FR-E-56-1-50 A | 30 - 50 daN |