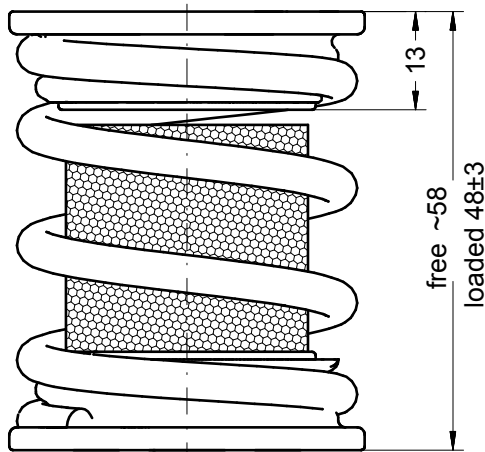


# Spring isolator FR-E-56-1-( )



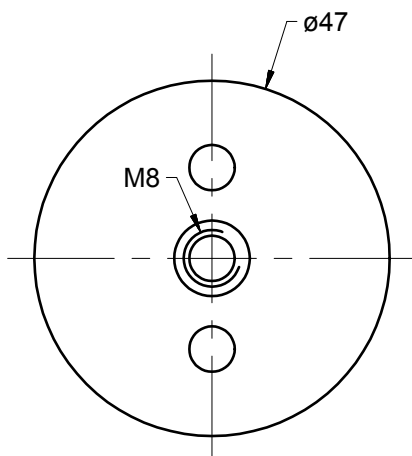
## Applications

- isolation of rotating machines operating above 600 min<sup>-1</sup>
- e.g. fans, motors, pumps, compressors, cooling units ...



## Description

- spring of spring wire, coated black
- damping cushion of stainless steel wire
- scrolls of Al-alloy
- vertical resonant frequency: 5 - 6 Hz
- weight: 0,2 - 0,25 kg according to type
- elastic limit load:  
2 g vertical      0,5 g horizontal



type	load
FR-E-56-1- 7	5 - 7 daN
FR-E-56-1-10	7 - 10 daN
FR-E-56-1-15	10 - 15 daN
FR-E-56-1-20	15 - 20 daN
FR-E-56-1-30	20 - 30 daN
FR-E-56-1-50	30 - 50 daN