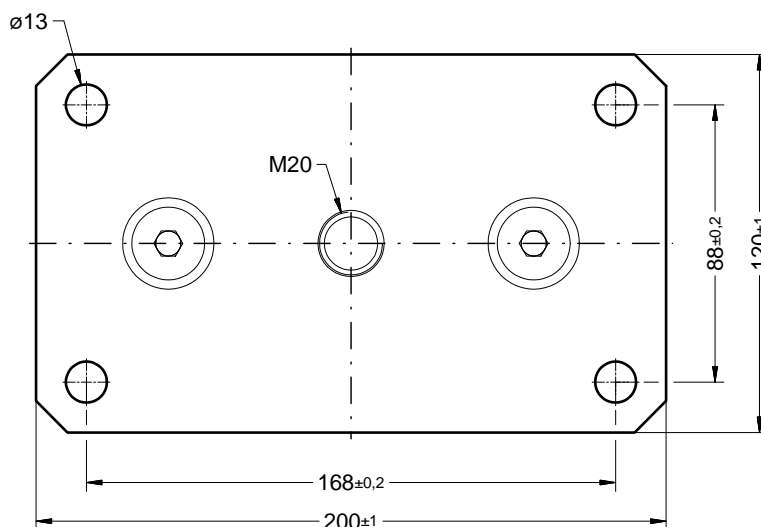
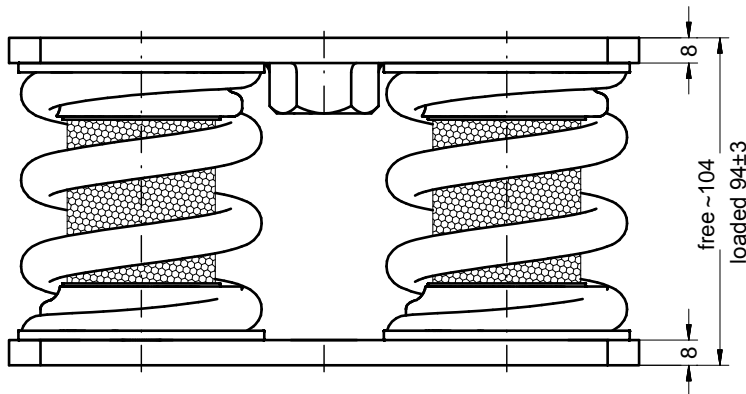


Spring isolator FR-E2-56-()



Applications

- isolation of rotating machines operating above 600 min^{-1}
- e.g. fans, motors, pumps, compressors, cooling units ...



Description

- top and bottom plate of steel zinc coated
- Springs made of spring steel wire, black coated
- Damping cushion of stainless steel wire
- Spring end caps of Al-alloy
- Vertical natural frequency: 5 - 6 Hz
- Weight: 4,1 – 5,3 kg depending on type
- Elastic max. load:
2 g vertical 0,5 g horizontal

Type	Load
FR-E2-56-100	60 - 100 daN
FR-E2-56-160	100 - 160 daN
FR-E2-56-260	160 - 260 daN
FR-E2-56-400	260 - 400 daN
FR-E2-56-600	400 - 600 daN
FR-E2-56-800	600 - 800 daN