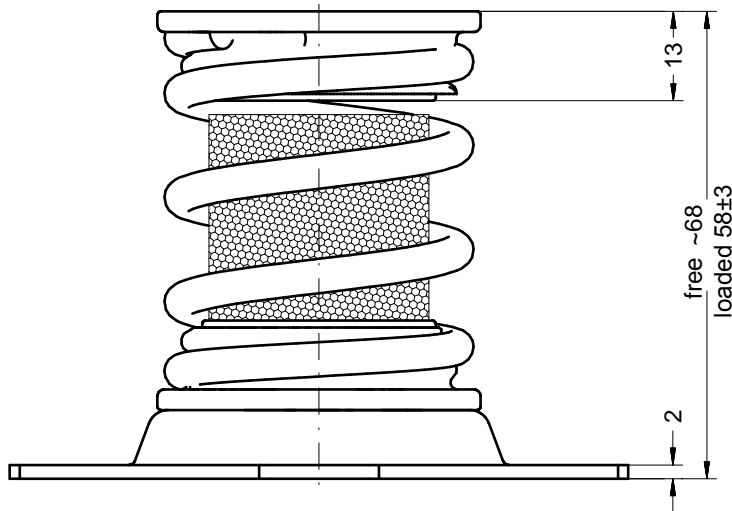


# Spring isolator FR-E-79-1-( )-A



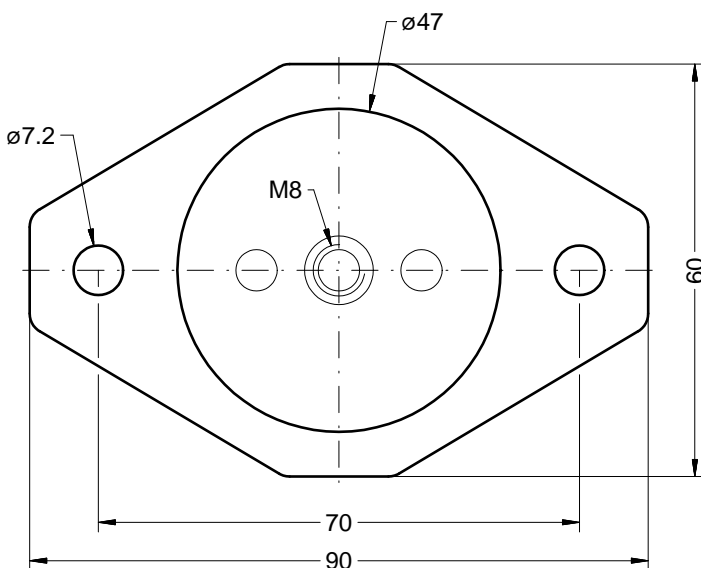
## Applications

- isolation of rotating machines operating above 800 min<sup>-1</sup>
- e.g. fans, motors, pumps, compressors, cooling units ...



## Description

- fixing plate of steel, zinc coated
- spring of spring wire, coated black
- damping cushion of stainless steel wire
- scrolls of Al-alloy
- vertical resonant frequency: 7 - 9 Hz
- weight: 0,2 - 0,25 kg according to type
- elastic limit load:  
2 g vertical      0,5 g horizontal



type	load
FR-E-79-1-11 A	6 - 11 daN
FR-E-79-1-14 A	8 - 14 daN
FR-E-79-1-20 A	12 - 20 daN
FR-E-79-1-30 A	18 - 30 daN
FR-E-79-1-45 A	24 - 45 daN
FR-E-79-1-75 A	40 - 75 daN