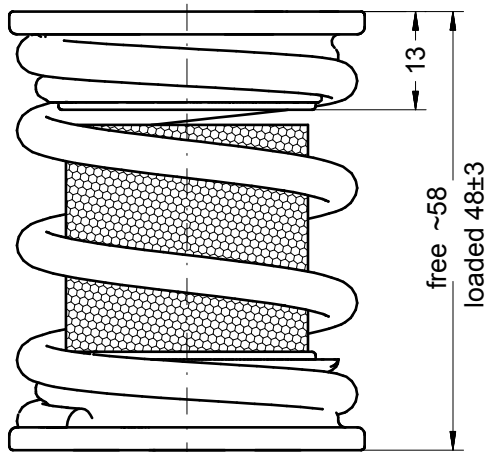


Spring isolator FR-E-79-1-()



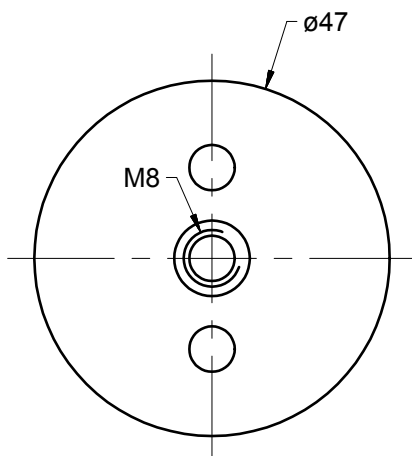
Applications

- isolation of rotating machines operating above 800 min⁻¹
- e.g. fans, motors, pumps, compressors, cooling units ...



Description

- spring of spring wire, coated black
- damping cushion of stainless steel wire
- scrolls of Al-alloy
- vertical resonant frequency: 7 - 9 Hz
- weight: 0,15 - 0,2 kg according to type
- elastic limit load:
2 g vertical 0,5 g horizontal



type	load
FR-E-79-1-11	6 - 11 daN
FR-E-79-1-14	8 - 14 daN
FR-E-79-1-20	12 - 20 daN
FR-E-79-1-30	18 - 30 daN
FR-E-79-1-45	24 - 45 daN
FR-E-79-1-75	40 - 75 daN