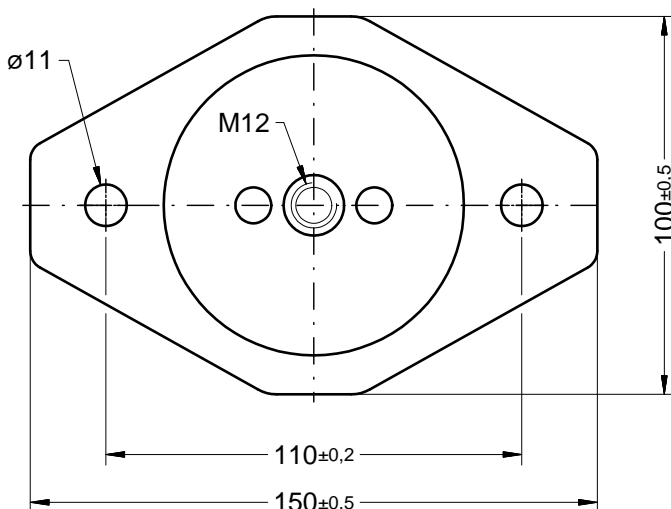
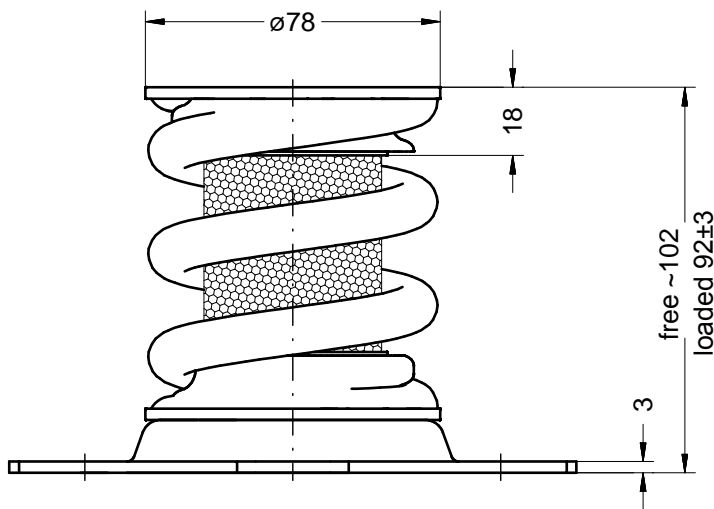


Spring isolator FR-E-79-()-A



Applications

- isolation of rotating machines operating above 800 min^{-1}
- e.g. fans, motors, pumps, compressors, cooling units ...



Description

- fixing plate of steel, zinc coated
- spring of spring wire, coated black
- damping cushion of stainless steel wire
- scrolls of Al-alloy
- vertical resonant frequency: 7 - 9 Hz
- weight: 1,1 - 1,7 kg according to type
- elastic limit load:
4 g vertical 0,5 g horizontal

type	load
FR-E-79- 90-A	40 - 90 daN
FR-E-79-130-A	60 - 130 daN
FR-E-79-190-A	110 - 190 daN
FR-E-79-270-A	170 - 270 daN
FR-E-79-400-A	250 - 400 daN
FR-E-79-550-A	350 - 550 daN