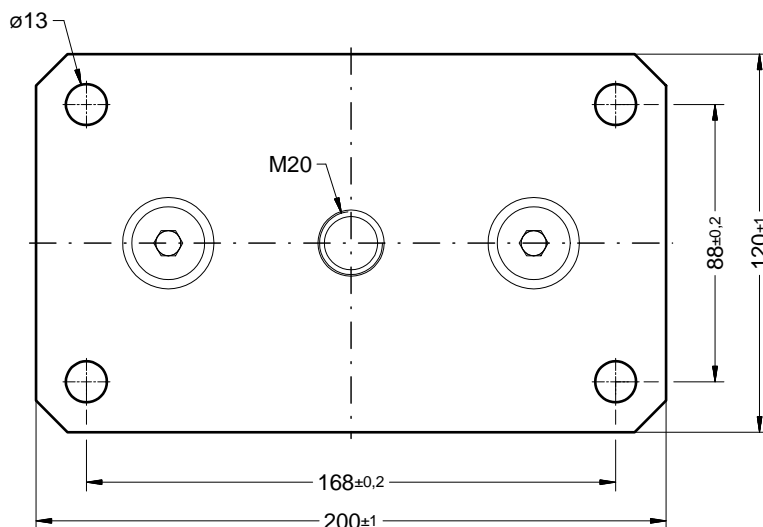
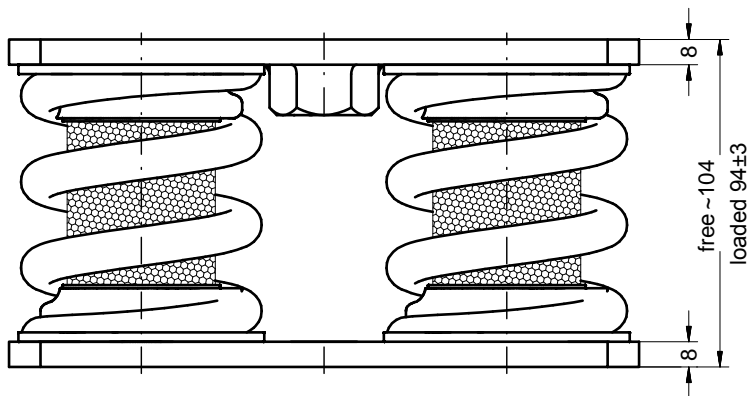


# spring isolator FR-E2-79-( )



## Applications

- isolation of rotating machines operating above 800 min<sup>-1</sup>
- e.g. fans, motors, pumps, compressors, cooling units ...



## Description

- top and bottom plate of steel, zinc coated
- springs of spring wire, coated black
- damping cushions of stainless steel wire
- scrolls of Al-alloy
- vertical resonant frequency: 7 - 9 Hz
- weight: 4,5 - 5,7 kg according to type
- elastic limit load:  
4 g vertical      0,5 g horizontal

type	load
FR-E2-79- 180	80 - 180 daN
FR-E2-79- 260	120 - 260 daN
FR-E2-79- 380	220 - 380 daN
FR-E2-79- 540	340 - 540 daN
FR-E2-79- 800	500 - 800 daN
FR-E2-79-1100	700 - 1100 daN