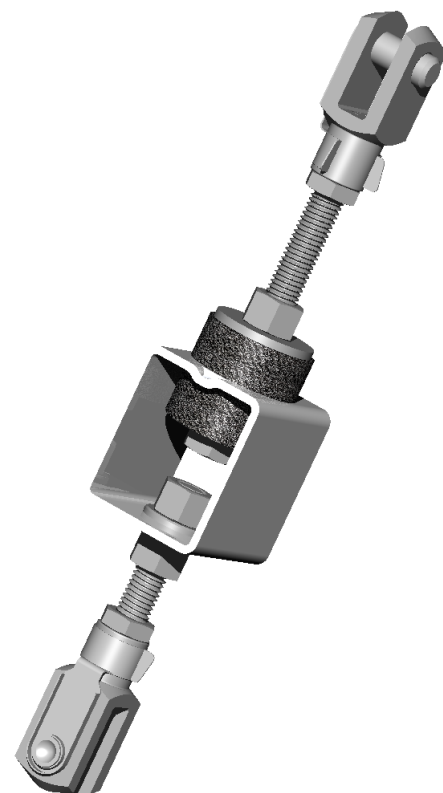
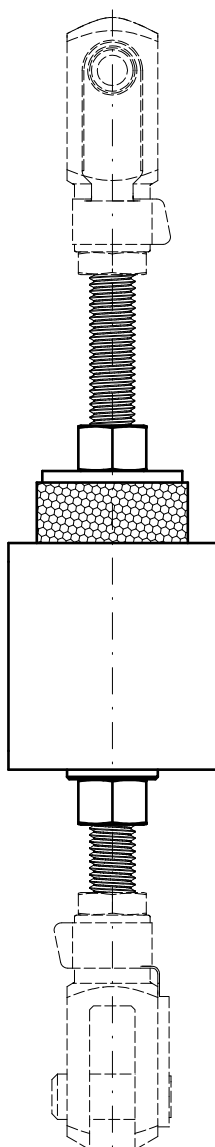
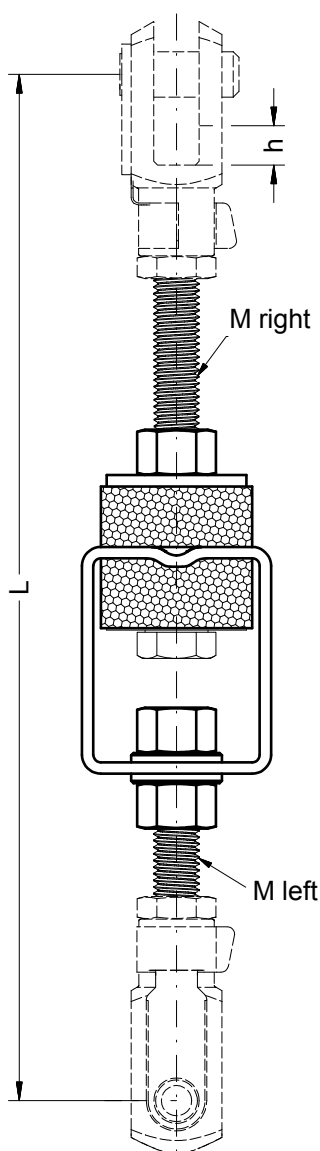


weight-bearing element
GAB-()-2



Applications

- Elastic suspension for exhaust pipes to adjust thermal expansion



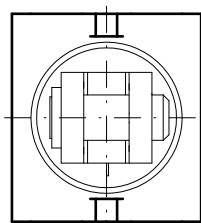
Description

- square profile of steel, zinc coated
- Screws, nuts and washers of steel, zinc coated
- Damping cushion of stainless steel wire
- Resonant frequency: 15 - 20 Hz

Accessories

(excluded from delivery)

- right hand thread clevis
- left hand thread clevis



Type	Dimensions [mm]			Load [daN]	
	L	h	M	static	max.dynamic
GAB-150-2	~ 180	~ 12	M 10	30-150	300
GAB-200-2	~ 250	~ 12	M 12	40-200	400
GAB-250-2	~ 360	~ 15	M 16	50-250	500
GAB-500-2	~ 370	~ 15	M 20	100-500	1000