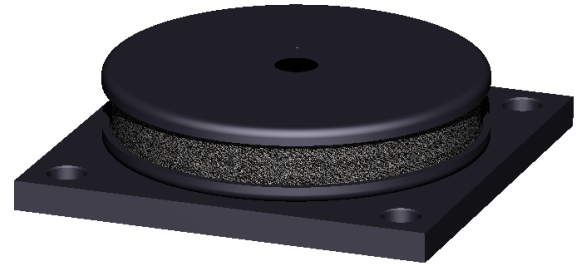
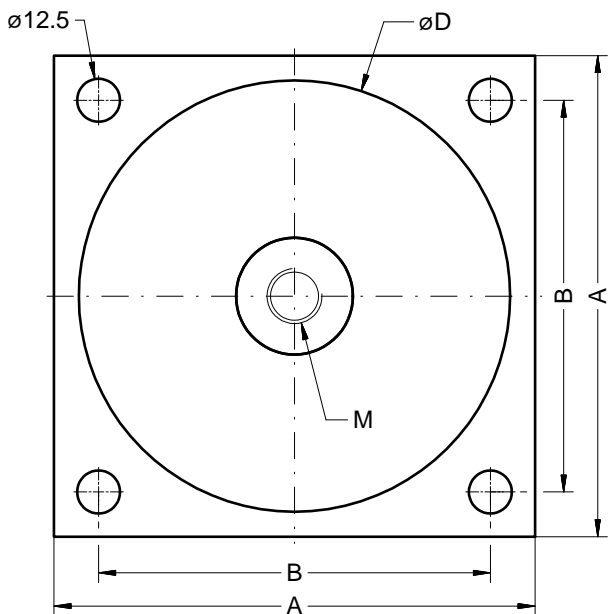
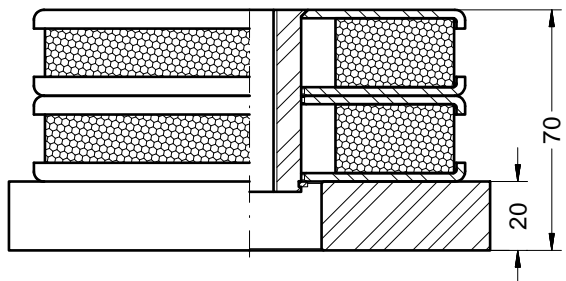
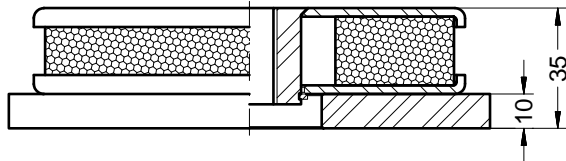


all-metal-damper
GMF-()-4

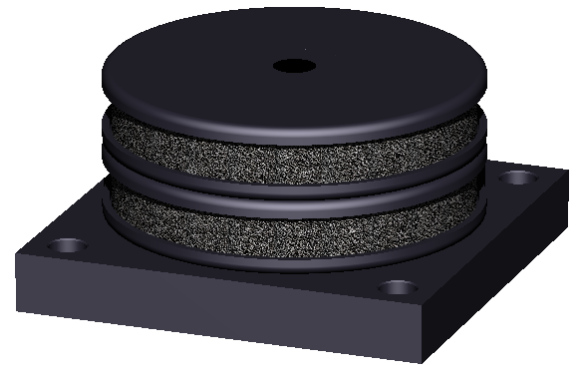


Applications

- resilient suspension of turning machines, milling machines, presses, lapping machines, grinding machines ...



Standard



type "D"

Description

- cushion seat, bottom plate of steel, KTL coated
- damping cushion of stainless steel wire
- high static and dynamic load capacity
- compact design
- long lifetime
- maintenance free

type	dimensios in mm				load capacity in daN		frequency	weight
	A	B	ØD	M	static	dynamic	[Hz]	[kg]
GMF-3500-4	140	114	125	M16	500 - 3500	12500	15 - 20	~ 2,5
GMF-D-3500-4							13 - 18	~ 5,0
GMF-7000-4	170	138	165	M20	1500 - 7000	22500	15 - 20	~ 3,7
GMF-D-7000-4							13 - 18	~ 7,5
GMF-10000-4	170	138	165	M20	1500 - 10000	33500	23 - 28	~ 3,8
GMF-D-10000-4							18 - 23	~ 7,7