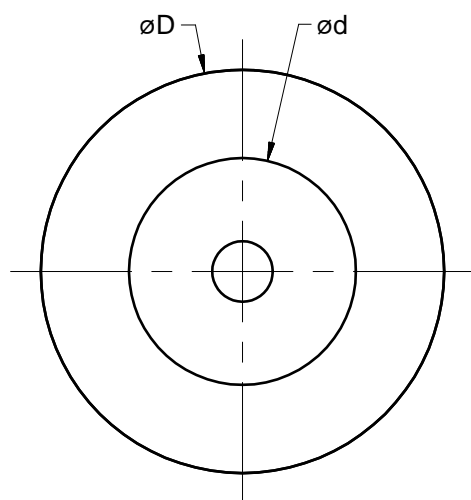
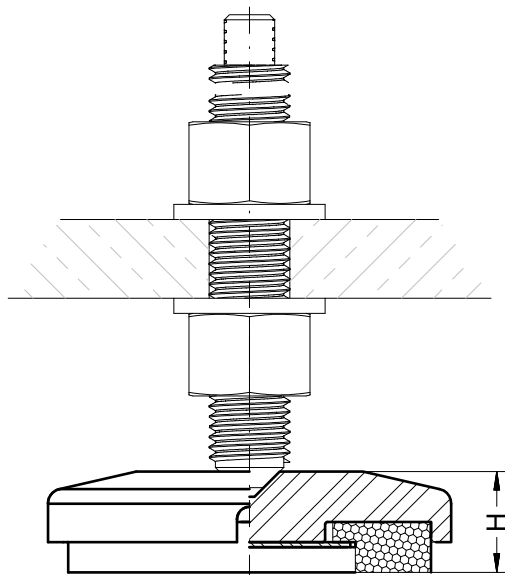
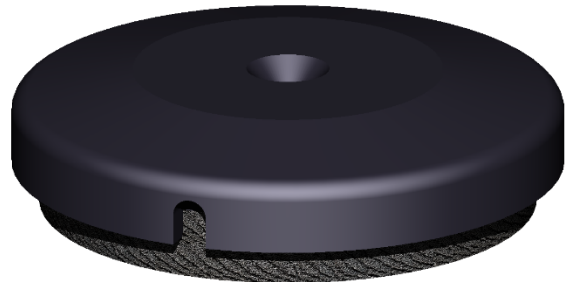


all-metal-damper  
**GMF-( )-x**



**Applications**

- resilient suspension turning machines, milling machines, presses, lapping machines, textile machines, grinding machines ...



**Description**

- cushion seat of steel, KTL coated
- damping cushion of stainless steel wire
- high static and dynamic load capacity
- compact design
- long lifetime
- maintenance free

**Accessories**

(excluded from delivery)

- safety-walk-plate      ARS
- floor fixing plate      BBF
- levelling screws, nuts and washer

type	dimensions [ mm ]			load [ daN ]	frequency [ Hz ]
	Ø D	Ø d	H		
GMF- 250 -1	70	35	21	30 - 250	25 - 30
GMF- 250 -2			25		
GMF- 250 -3			21		
GMF- 900 -1	80	45	31	50 - 900	15 - 20
GMF- 3000 -1			20		
GMF- 3000 -2	131	95	24	500 -3500	25 - 30
GMF- 3500 -1			35		35 - 40
GMF- 3500 -2			25 - 30		
GMF- 7000 -1	168	76	45	1500 -7000	15 - 20
GMF- 8000 -1			34		