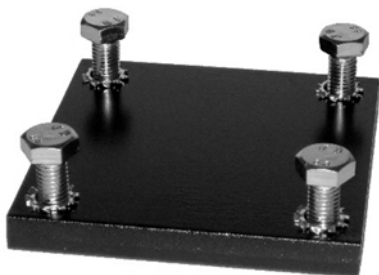
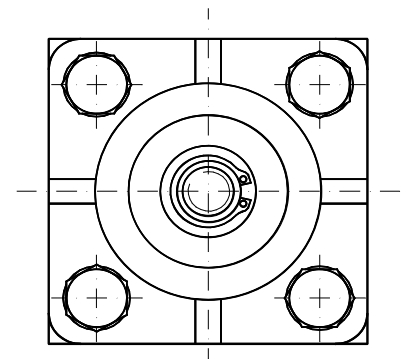
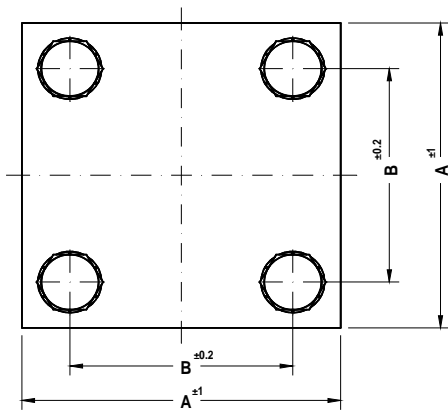
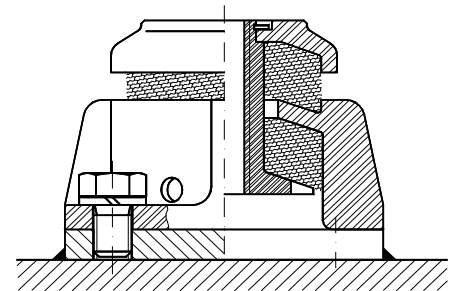
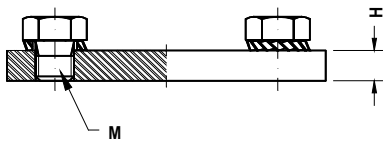


# Accessories for GDZ series 1



## Welding plate

- For fixing All-metal dampers in a simply and quickly way



- Steel plate [KTL coated or raw material]
- Complete with screws and toothed washers

Type	Dimensions [ mm ]				Suitable for All-metal dampers	
	A	B	H	M		
ASP- 250-1	80	64	8	M8	GDZ -60	GDZ -250
					GDZ-T -60	GDZ-T -250
ASP- 900-1	100	70	10	M12	GDZ -900	GDZ-D -900
ASP-1500-1	130	100	12	M12	GDZ-1500	GDZ-D-1500
ASP-2500-1	200	152	12	M16	GDZ-2500	GDZ-D-2500
ASP-7000-1	220	170	15	M16	GDZ-7000	GDZ-D-7000