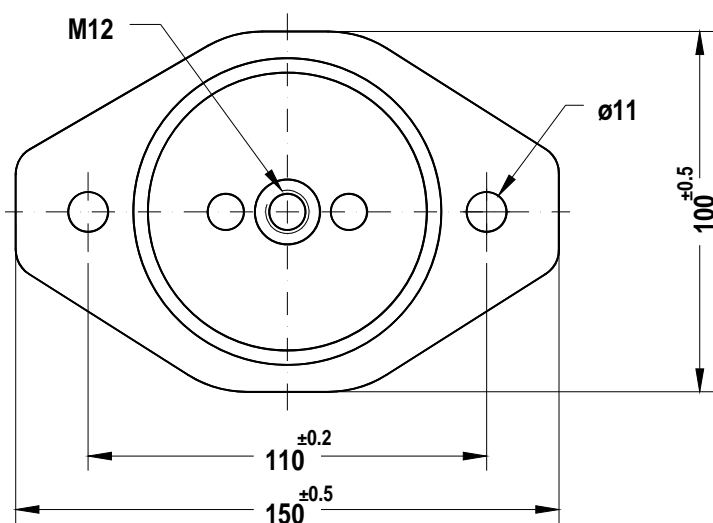
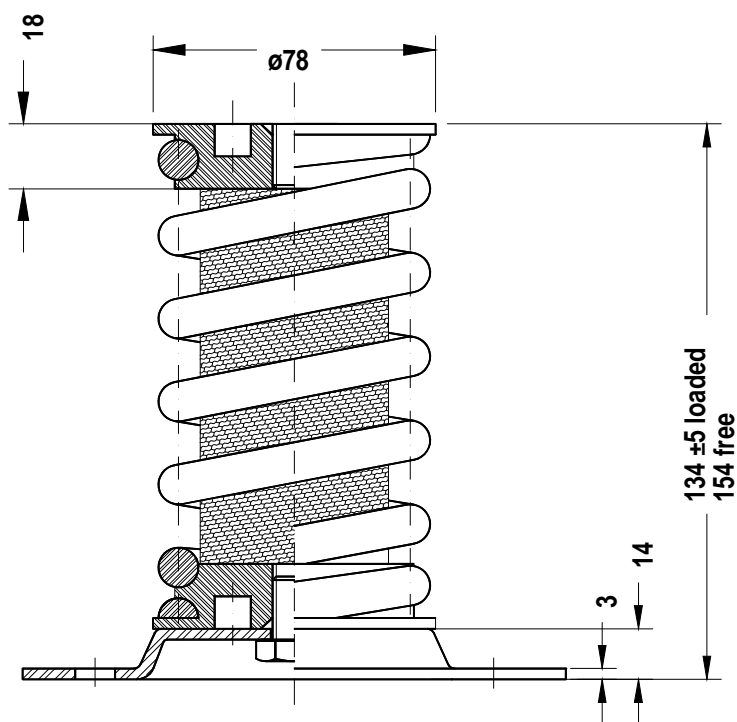


# Spring isolators FR-E-34-[ ]-A



## Applications

- Resilient suspension of rotating machines with rotational speed of > 400 rpm, i.e. ventilators, motors, blowers, pumps, air conditioner, test stands, compressors, scales etc.



## Description

- Base plate made of steel, zinc coated
- Spring made of spring steel wire, coated black
- Damping cushion of stainless steel wire
- Spring end caps of Al-alloy
- Vertical natural frequency: 3 - 4 Hz
- Weight: 1,1 - 2,0 kg depending on type
- Elastic max. load:  
1,5 g vertical      0,5 g horizontal

Type	Load
FR-E-34-100-A	70 - 100 daN
FR-E-34-130-A	90 - 130 daN
FR-E-34-160-A	110 - 160 daN
FR-E-34-230-A	160 - 230 daN
FR-E-34-310-A	220 - 310 daN
FR-E-34-410-A	300 - 410 daN