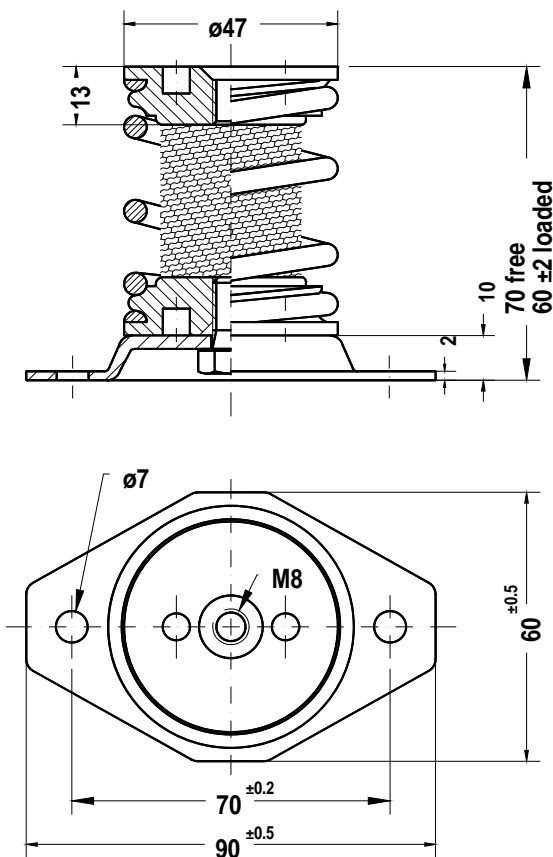


Spring isolators FR-E-79-1-[]-A



Applications

- Resilient suspension of rotating machines with rotational speed of > 800 rpm, i.e. ventilators, motors, blowers, pumps, air conditioner, test stands, compressors, scales etc.



Description

- Base plate made of steel, zinc coated
- Spring made of spring steel wire, black coated
- Damping cushion of stainless steel wire
- Spring end caps of Al-alloy
- Vertical natural frequency: 7 - 9 Hz
- Weight: 0,2 - 0,25 kg depending on type
- Elastic max. load:
2 g vertical 0,5 g horizontal

Type	Load
FR-E-79-1-11 A	6 - 11 daN
FR-E-79-1-14 A	8 - 14 daN
FR-E-79-1-20 A	12 - 20 daN
FR-E-79-1-30 A	18 - 30 daN
FR-E-79-1-45 A	24 - 45 daN
FR-E-79-1-75 A	40 - 75 daN