

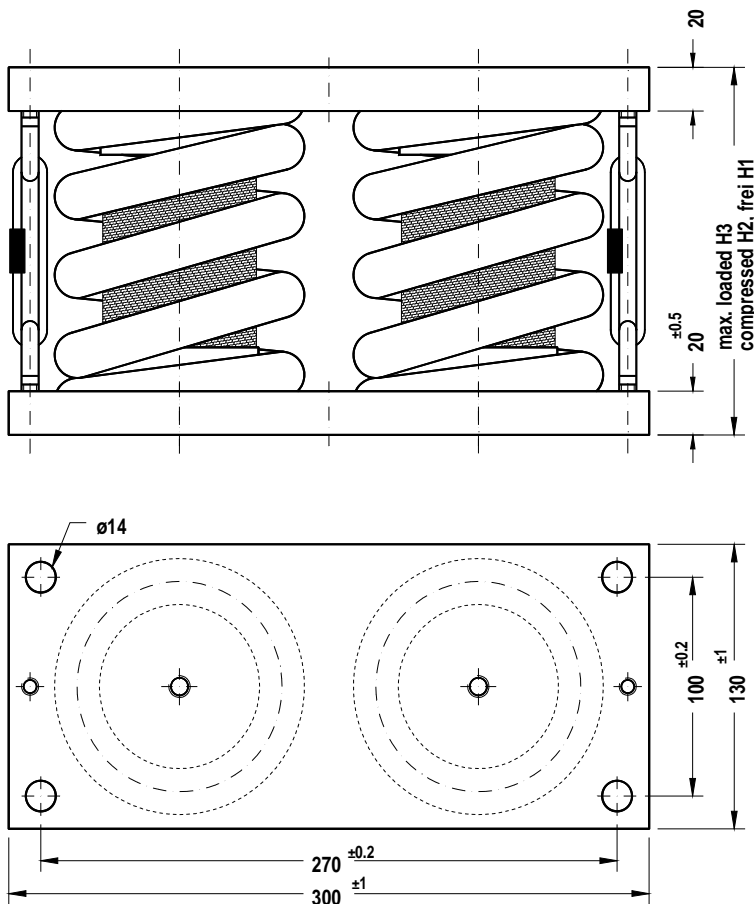
Spring isolators

FR-E2-35/46-4000



Applications

- Resilient suspension of rotating machines with rotational speed of > 500 rpm , i.e. ventilators, motors, blowers, pumps, air conditioner, test stands, compressors, scales etc.



Description

- Steel mounting plates, KTL coated
- Springs of spring steel wire, black coated
- Damping cushion of stainless steel wire
- Spring end caps of steel
- Natural frequency vertical:
 - FR-E2-35-4000 3-5 Hz
 - FR-E2-46-4000 4-6 Hz
- Weight: 17 - 18 kg depending on type

Type	Load
FR-E2-35-4000	2000-4000 daN
FR-E2-46-4000	2000-4000 daN

Type	Dimensions [mm]		
	H1	H2	H3
FR-E2-35-4000	173	168	143
FR-E2-46-4000	143	138	128