

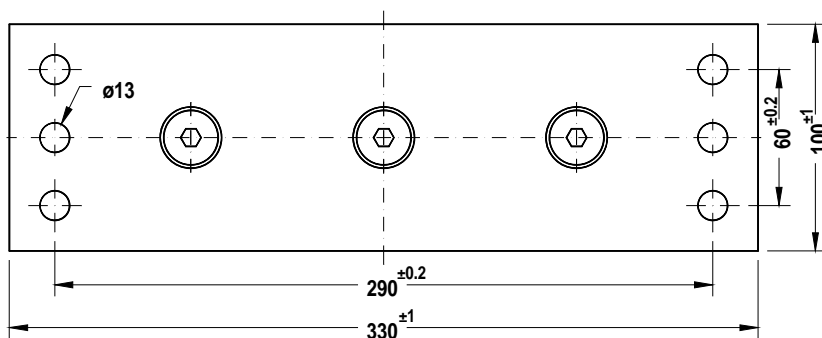
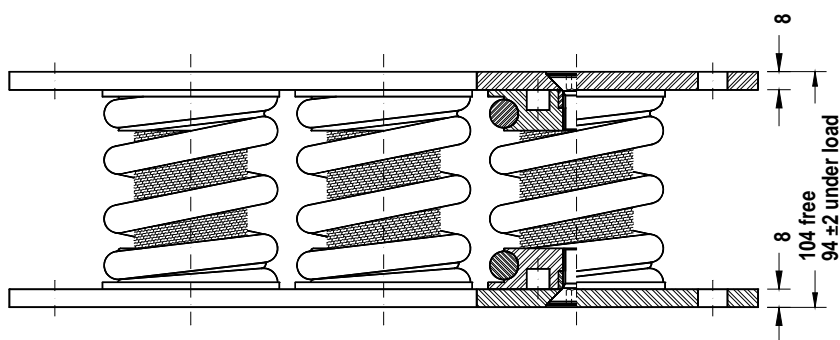
Spring isolators

FR-E3-79-[]-B



Applications

- isolation of rotating machines operating above 800 min^{-1} such as fans, motors, pumps, air conditioning sets, compressors, scales ...



Description

- top and bottom fixing plate of steel, KTL coated
- spring of spring wire coated black
- damping cushion of stainless steel wire
- scrolls of Al-alloy
- vertical resonant frequency: 7 - 9 Hz
- weight: 6,6 - 8,4 kg according to type
- elastic limit load:
4 g vertical 0,5 g horizontal

type	load
FR-E3-79- 270-B	120- 270 daN
FR-E3-79- 390-B	180- 390 daN
FR-E3-79- 570-B	330- 570 daN
FR-E3-79- 810-B	510- 810 daN
FR-E3-79-1200-B	750-1200 daN
FR-E3-79-1650-B	1050-1650 daN