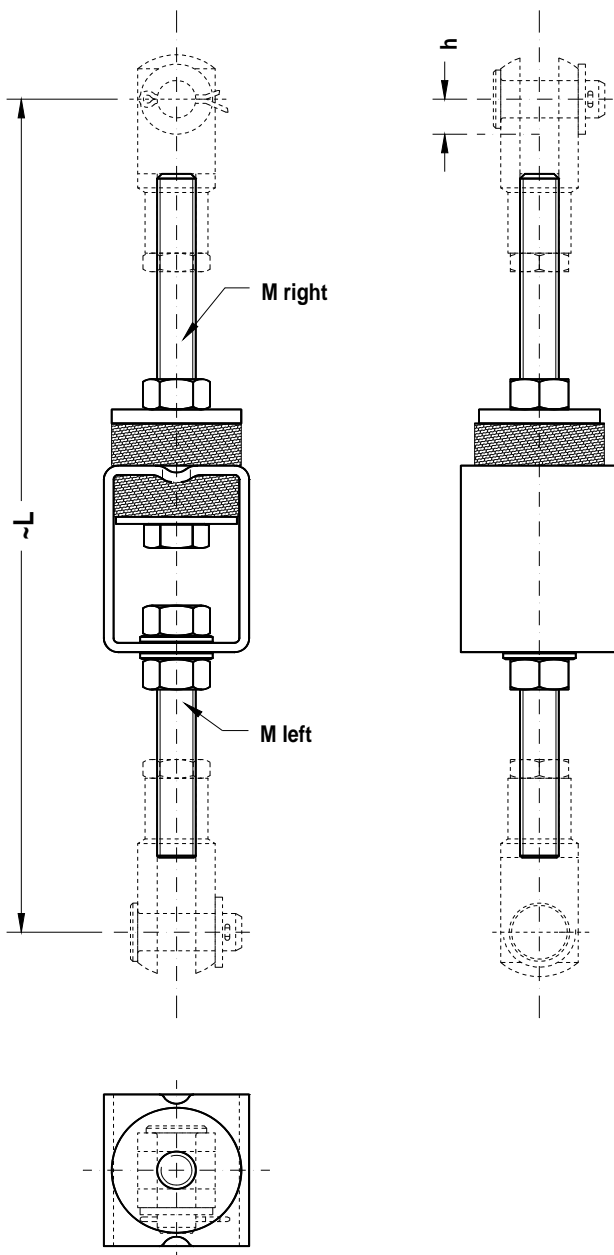


# Weight-bearing elements GAB-[ ]-2



## Applications

- Resilient suspension and routing of exhaust pipes to adjust thermal expansion



## Description

- Hollow square section of steel, zinc coated
- Screws and steel washers, zinc coated
- Damping cushion of stainless steel wire
- Natural frequency: 15 - 20 Hz

## Accessories

- 1 right hand thread clevis
- 1 left hand thread clevis

| Type      | Dimensions [mm] |      |      | Load [daN] |             |
|-----------|-----------------|------|------|------------|-------------|
|           | L               | h    | M    | static     | max.dynamic |
| GAB-150-2 | ~ 180           | ~ 12 | M 10 | 30-150     | 300         |
| GAB-200-2 | ~ 250           | ~ 12 | M 12 | 40-200     | 400         |
| GAB-250-2 | ~ 360           | ~ 15 | M 16 | 50-250     | 500         |
| GAB-500-2 | ~ 370           | ~ 15 | M 20 | 100-500    | 1000        |