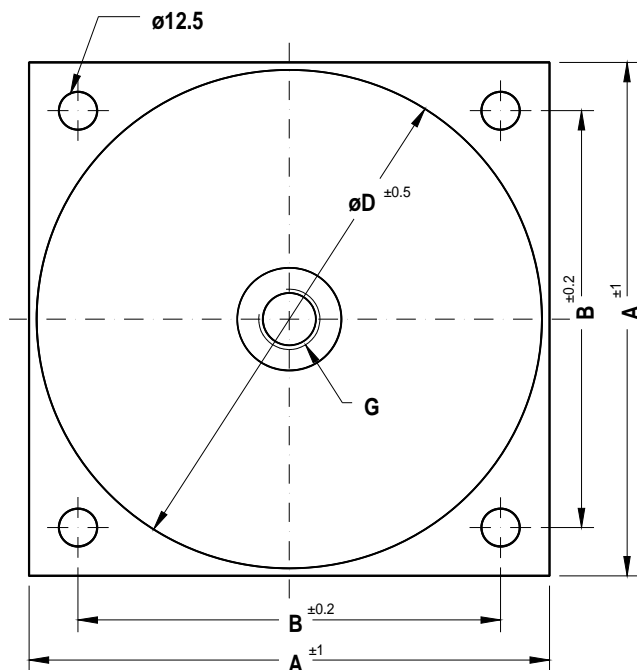
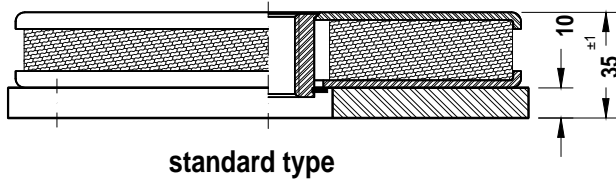
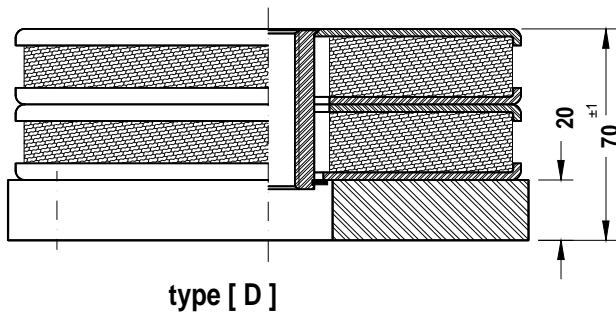
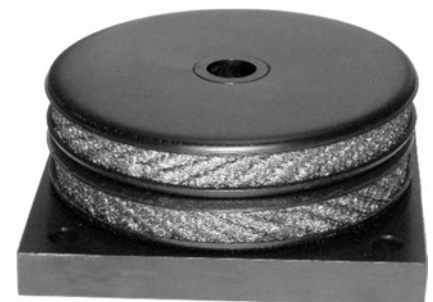
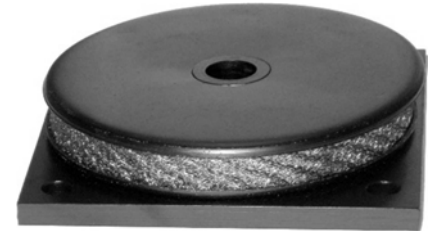


all-metal-dampers GMF-[]-4 series



Applications

- Resilient suspension of turning, milling and lapping machines, presses, grinding machines, textile machines etc.



Description

- Mount with flat design
- Ageing resistance
- Cushion seat of cast steel, KTL coated
- Damping cushion of stainless steel wire
- High static and dynamic load capacity

Type	Dimensions [mm]				Weight [kg]
	Ø D	G	A	B	
GMF - 3500-4	125	M16	140	114	~2,5
GMF-D- 3500-4					~5,0
GMF - 7000-4	165	M20	170	138	~3,7
GMF-D- 7000-4					~7,5
GMF- 10000-4					~3,8
GMF-D-10000-4					~7,7

Type	Load [daN]		Frequency [Hz]
	static	dynamic	
GMF - 3500-4	500-3500	12500	15-20
GMF-D- 3500-4			13-18
GMF - 7000-4	1500-7000	22500	15-20
GMF-D- 7000-4			13-18
GMF- 10000-4	1500-10000	33500	23-28
GMF-D-10000-4			18-23