

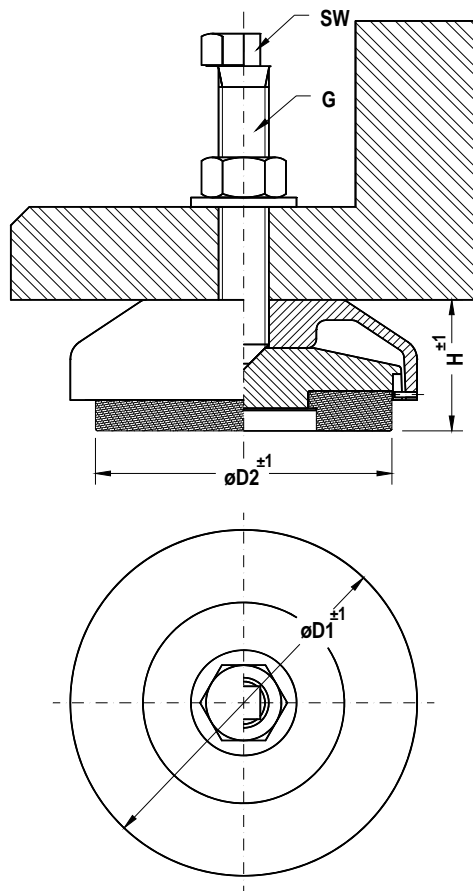
all-metal-dampers

Mounts, type GST series



Applications

- Resilient suspension of turning, milling and lapping machines, presses, grinding machines, textile machines etc.



Description

- Mounts with integrated levelling
- Ageing resistance
- Housing made of cast steel, KTL coated
- Damping cushion of stainless steel wire
- High static load bearing capacity
- High dynamic overload

Accessories

- Anti-slip mat (Safety-Walk™) ARS
- Floor attachment BBF

Type	Dimensions [mm]					Stat. load [daN]	Frequency [Hz]
	Ø D1	Ø D2	G	H	SW		
GST- 250 -1	84	60	M12	31	9	30 - 250	25 - 30
GST- 250 -2				35			
GST- 250 -3				31			
GST- 900 -1	92	72	M16	46	10	50 - 900	15 - 20
GST- 3000 -1				35			
GST- 3000 -2				35			
GST- 3500 -1	147	121	M20	44	12	500 -3500	25 - 30
GST- 3500 -2				55			15 - 20
GST- 6000 -1	186	159	M27	60	41	1500 -6000	20 - 25
GST- 6000 -2				71			15 - 20
GST- 8000 -1				71			1500 -8000

Levelling bolts available with square and hexagonal head

M27 exclusively available in hexagonal form