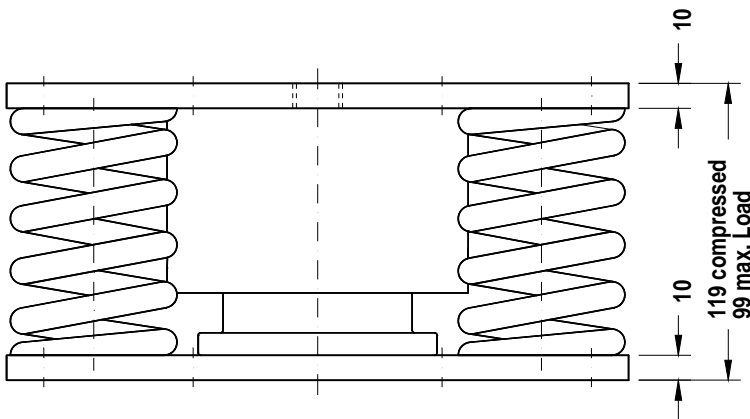


Spring isolator with viscous damping



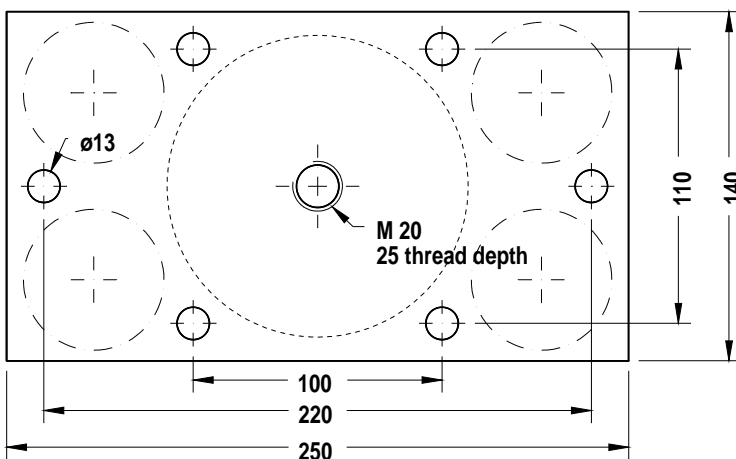
Application

- Resilient suspension of rotating/vibrating and shock machines
- For machines operating in resonance frequencies
- For machines which amplify while running through resonance



Description

- steel mounting plates, black coated
- Springs made of spring steel wire, black coated
- Closed damping system filled with a viscous fluid
- Natural frequency , vertical: 3 - 4 Hz
- Weight: 11 - 12 kg depending on amount of springs



Type	Load
FV-E2-34- 800	400- 800 daN
FV-E3-34-1200	600-1200 daN
FV-E4-34-1600	800-1600 daN