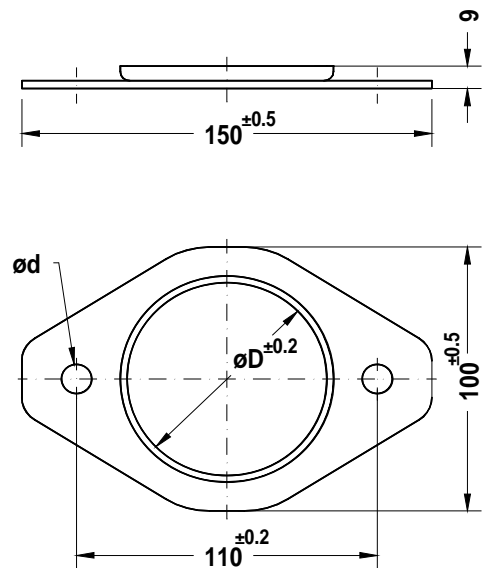
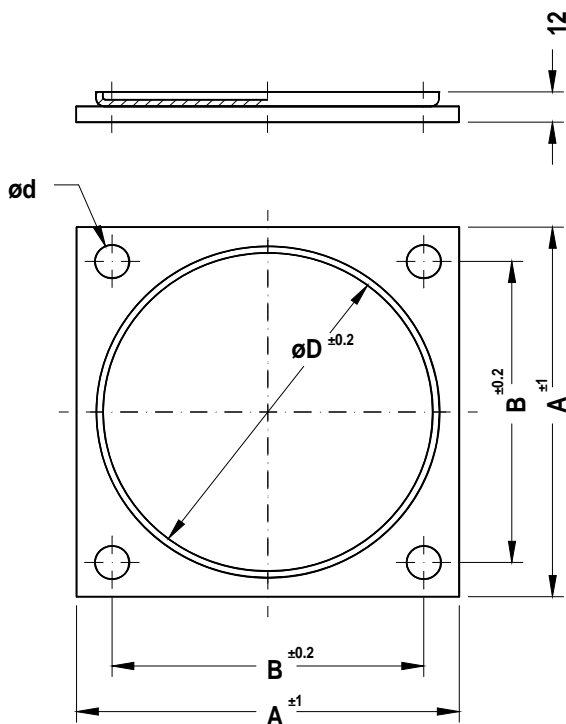


# Accessories for all-metal-dampers **GMF GST**



## Base plates

- For fixing All-metal dampers between floor and machine



- Square base plate of steel, KTL coated

- Oval-shaped base plate of steel, zinc coated

Type	Dimensions [mm]				Suitable for all-metal dampers	
	A	B	ØD	Ød		
BBF-3500	160	130	120	12,5	GST-3500	GMF-3500
BBF-8000	200	168	159		GST-6000	GMF-7000 GMF-8000

Type	Dimensions [mm]		Suitable for all-metal dampers	
	ØD	Ød		
BBF-250	61	11	GST-250	GMF-250
BBF-3000	73		GST-900	GMF-900
			GST-3000	GMF-3000