

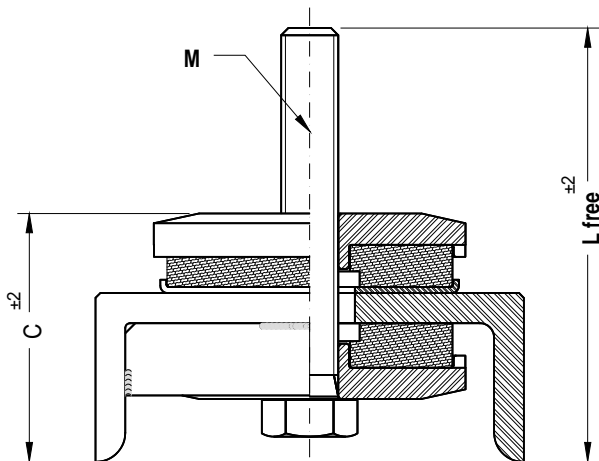
all-metal-dampers

Type GDZ-[]-5-1 series



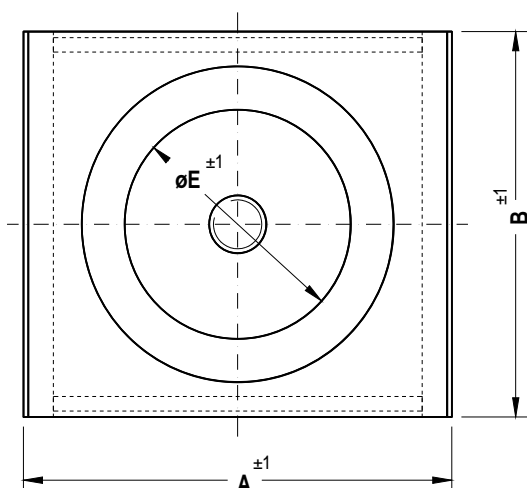
Applications

- Resilient suspension of motors, pumps generators, exhaust pipes ...



Description

- Cushion seat made of steel, KTL coated
- Steel channel with welded steel flats, KTL coated
- Steel screw, zinc coated
- Damping cushion of stainless steel wire
- High static and dynamic load bearing capacity
- Ageing resistance
- Natural frequency: 15 - 20 Hz



Type	Dimensions [mm]					
	A	B	C	Ø E	M	L
GDZ- 2500-5-1	180	160	103	117	M24	225
GDZ- 5000-5-1	220	220	123	158		230
GDZ- 8000-5-1						

Type	Load [daN]		Weight [kg]
	static	max. dyn.	
GDZ- 2500-5-1	750 - 2500	5000	~ 8,3
GDZ- 5000-5-1	1000 - 5000	10000	~ 16,0
GDZ- 8000-5-1	1000 - 8000	16000	