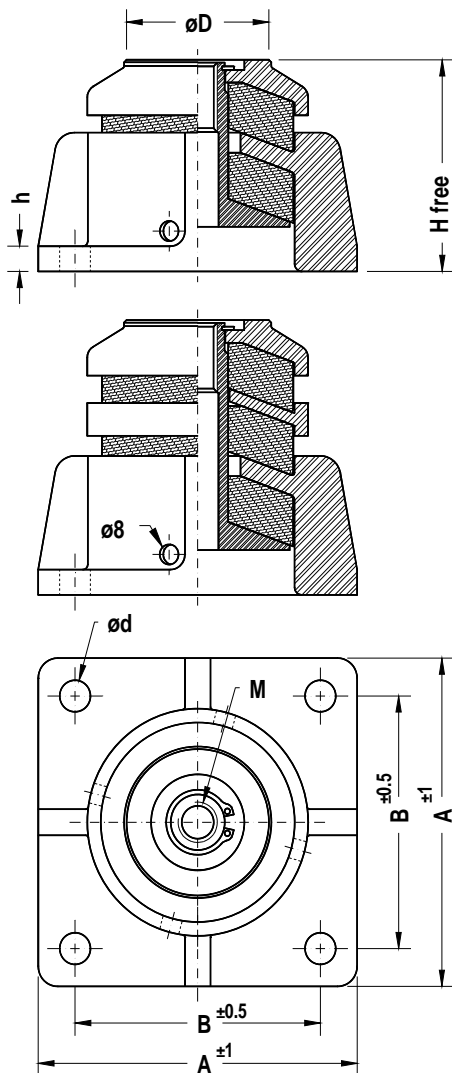


all-metal-dampers Type GDZ -[] series



Applications

- Resilient suspension of motors, pumps, generators, exhaust pipes etc.



Standard version



"D" version

Description

- Housing, housing cover and cushion seat made of cast steel, KTL coated
- Threaded spacer made of steel, KTL coated
- External retaining ring DIN 471 Metric
- Damping cushion of stainless steel wire
- High static and dynamic load bearing capacity
- High stability
- Ageing resistance

Type	Dimensions [mm]							Load [daN] compression - tension		Frequency [Hz]	Weight [kg]
	A	B	$\varnothing D$	$\varnothing d$	H	h	M	static	dynamic		
GDZ- 60-1	80	64	35	8,2	50	6	M12	5 - 60	200	15 - 20	0,7
GDZ-250-1					75			50 - 250	500		
GDZ-T- 60-1					71	5 - 60		200			
GDZ-T-250-1					84	50 - 250		500			
GDZ- 900-1	100	70	52	12,5	71	8	M16	50 - 900	3500	15 - 20	1,4
GDZ-D-900-1					94					11 - 15	1,7
GDZ- 1500-1					84	15 - 20				3,1	
GDZ-D-1500-1	130	100	58	109	10		250 - 1500		11 - 15	3,7	