

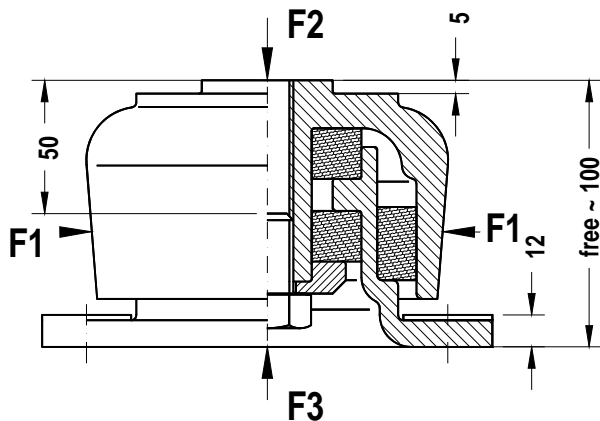
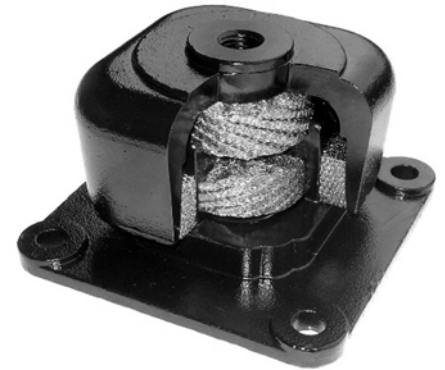
all-metal-dampers Type GDZ -[]-4 series



Applications

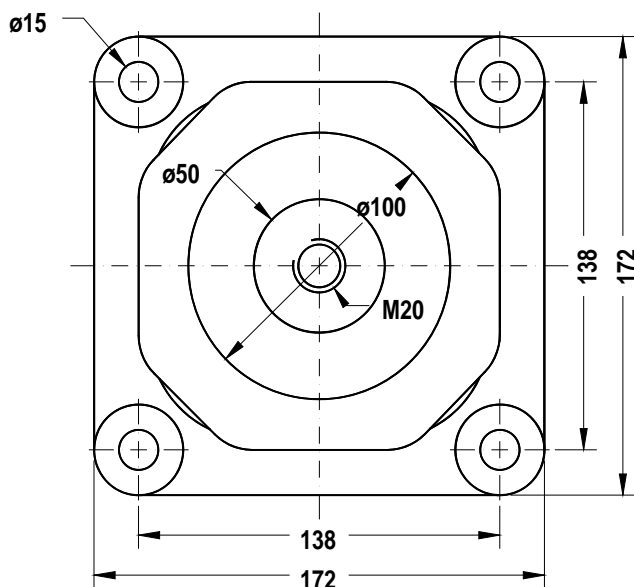
Resilient suspension of

- rotating machines, motors, pumps, diesel electric sets
- turbocharged engine, exhaust pipes, boilers, silencers etc.



Description

- Housing made of cast steel, KTL coated
- Damping cushion of stainless steel wire
- High static and dynamic load bearing capacity
- High stability
- Ageing resistance
- Natural frequency: 18 - 25 Hz
- Weight: approx. 8 kg



Type	Static load [daN]		
------	-------------------	--	--

	F1	F2	F3
GDZ-900-4	900	350- 900	900
GDZ-2500-4		800- 3000	

Type	Dynamic load [daN]		
------	--------------------	--	--

	F1	F2	F3
GDZ-900-4	4500	4500	4500
GDZ-2500-4		12500	