

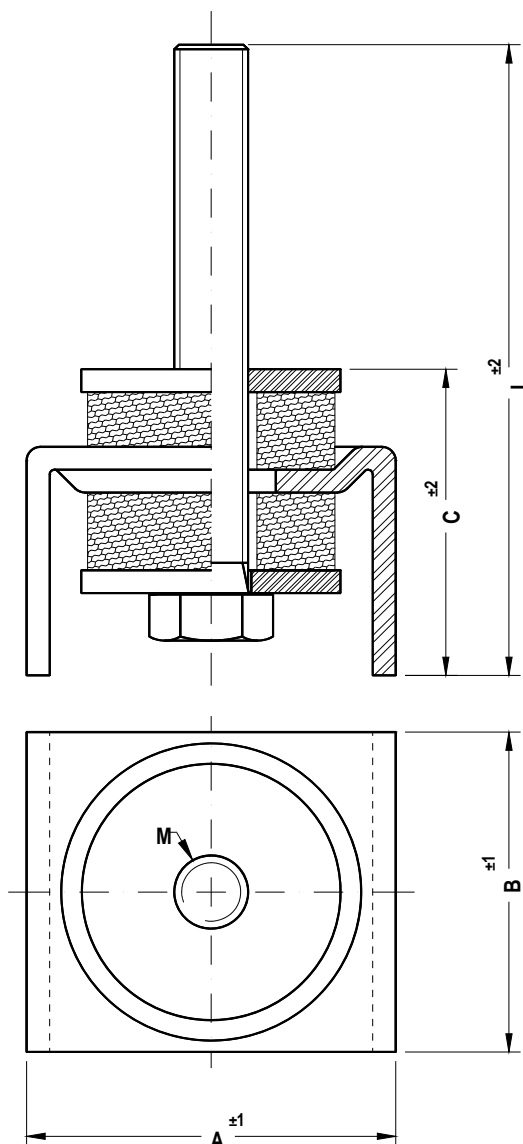
all-metal-dampers

Type GDZ -[]-5-1 series



Applications

- Resilient suspension of motors, pumps generators, exhaust pipes etc.



Description

- Punched steel channel for welding, KTL coated
- Threaded washer and steel screw, zinc coated
- Damping cushions of stainless steel wire
- High static and dynamic load bearing capacity
- Ageing resistance
- Natural frequency: 15 - 20 Hz

Type	Dimensions [mm]				
	A	B	C	M	L
GDZ- 250-5-1	80	70	67	M16	140
GDZ- 500-5-1					170
GDZ- 900-5-1	100	100	70	M20	170
GDZ-1500-5-1					

Type	Load [daN] compression - tension		Weight [kg]
	static	max. dyn.	
GDZ- 250-5-1	50- 250	500	~ 1,0
GDZ- 500-5-1	100- 500	1000	
GDZ- 900-5-1	100- 900	1500	~ 2,1
GDZ-1500-5-1	300-1500	3000	